

Mg scrubbing machine



**New Mg Scrubbing Machines.
Another project which is the fruit of the
Fimap SustainableCleaningProject**



Mg 75-85-100. Which segment do they fit into?

Magna 75/83
105 l



Magna 85/100
200 l



Mg BASE 75/85/100
170 l



Mg 75/85/100
170 l

MAINTENANCE CLEANING

60 Kg

80 Kg

100 Kg

HARD CLEANING

Pressure adjustment

Comparison

Mg Base Compared to > Magna 83

More Productivity

- (70% more water in tanks)
- Less Pit-Stops
- Drastic reduction of daily maintenance times
- More user-friendly (even for unskilled operators)
- More manoeuvrability thanks to the front motorwheel

+ More Environmentally-friendly

- Water saving thanks to  **FWF**
FIMAP WATER FLOW

Lower noise level

- Only 64 dB of acoustic pressure  **FNC**
FIMAP NOISE CANCELING TECHNOLOGY

More Ergonomic

More Value

- Much more at the same price
- = more SAVING**



Comparison

Mg Compared to > Magna 85



More Productivity

- Drastic reduction of daily maintenance times
- More user-friendly (even for unskilled operators)

More Compact

- Hard cleaning is possible with compact dimensions - (Pressure adjustment up to 100Kg)
- Dimensions reduced up to 24%

More Environmentally-friendly

- No waste of energy. The brush motor is correctly dimensioned to withstand high pressure.
- This means that smaller batteries can be used, with a resulting energy saving of up to 28%
- A saving of up to 50% on water and detergent



Lower noise level

- Only 64 dB of acoustic pressure



More Ergonomic

- Excellent driving comfort for any operators
- The same performances at a lower price
= more **SAVING**



FSS, FimapSolutionSaver:

The new dosing system
that saves up to 50% water and detergent;



Speed adjustment
Speed reduction on bends
water flow rate reduction on bends



Brush pressure adjustment
from 60 up to 100 kg;



FES, Fimap Energy Saver: Energy saving of up to 30%;



FNC, FimapNoiseCanceling:

the new noise cancelling technology (only 64 dB (A)), maintaining excellent suction power and excellent cooling

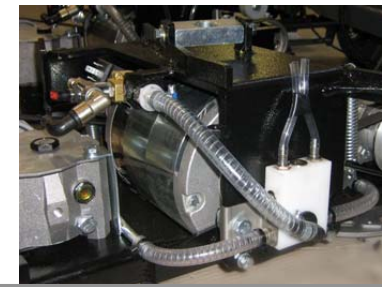


FFF, FimapFastFill: Water tank filling system with quickfit;



FWF, FimapWaterFlow:

enabling uniform distribution of the water on both contra-rotating brushes guaranteeing even cleaning over the whole working area, even with reduced flow rates;



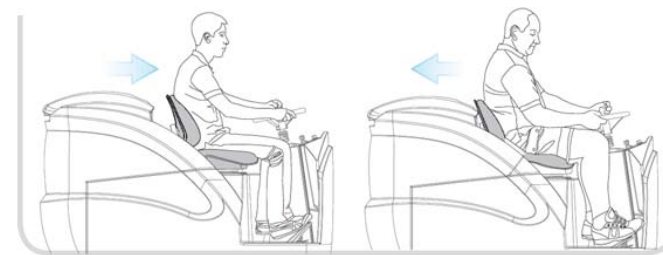
ON/OFF Eco system: automatically stops the flow of water and the brushes when the machine is stopped

Mg 75/85/100

Offered with the “Everything Standard”

Comfort Drive System:

The operator can adjust the seat according to his or her own driving requirements

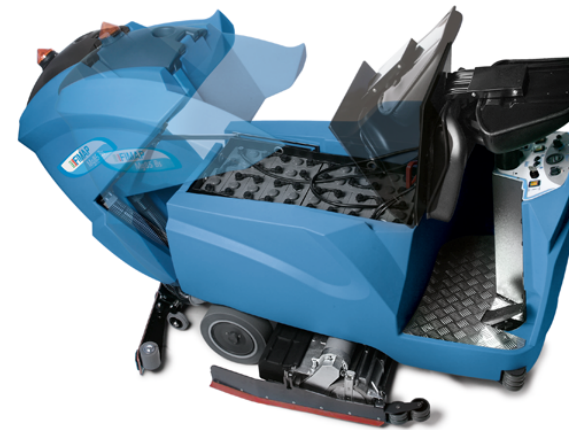


New system that rotates the squeegee horizontally, to clean it easily



Maximum accessibility to the machine for routine maintenance operations (e.g. topping up battery fluid);

Tanks can be sanitised completely.



Mg scrubbing machine

Mg 75/85/100

Offered with the “Everything Standard”

Water and detergent level indicators



Newly-designed drive wheel with a chopper to maintain the set speed. The power supply increases going uphill and is reduced going downhill; when working at slower speed, saved energy is stored.



Antiskid and anti-mark wheels

Service brake and mechanical parking brake for more safety.

Standard equipments	Mg 75/85/100 Base	Mg 75/85/100
Water and detergent management		
FSS (Fimap Solution Saver)	-	•
FWF (Fimap Water Flow)	•	•
Water reduction on bend	•	•
Eco ON/OFF System	•	•
FFF (Fimap Fast Fill)	-	•
Water level indicator	•	•
Detergent level indicator	-	•
Scrubbing performances		
Constant brushes pressure (B version)	•	-
Constant brushes pressure (BS version)	•	•
Brushes pressure regulation (B version) until to 100 Kg	-	•
Speed regulation	-	•
Safety		
Speed on bend and water flow rate reduction	•	•
Front antiskid motorwheel	•	•
Antiskid rear wheels	optional	•
Service brake and mechanical parking brake	•	•
Blinking light	optional	•
Safety belts	optional	optional
Hoverhead guard	optional	optional
Comfort		
Rotating squeegee	-	•
Comfort Drive	•	•
FNC (Fimap Noise Canceling)	•	•
Tanks can be sanitised completely	•	•

For optionals availability and prices please contact Fimap customers service department

Magna 83 - Magna 85 - Mg85: a comparison On site testing



Surfaces to be cleaned: **4,000 sq. m.**

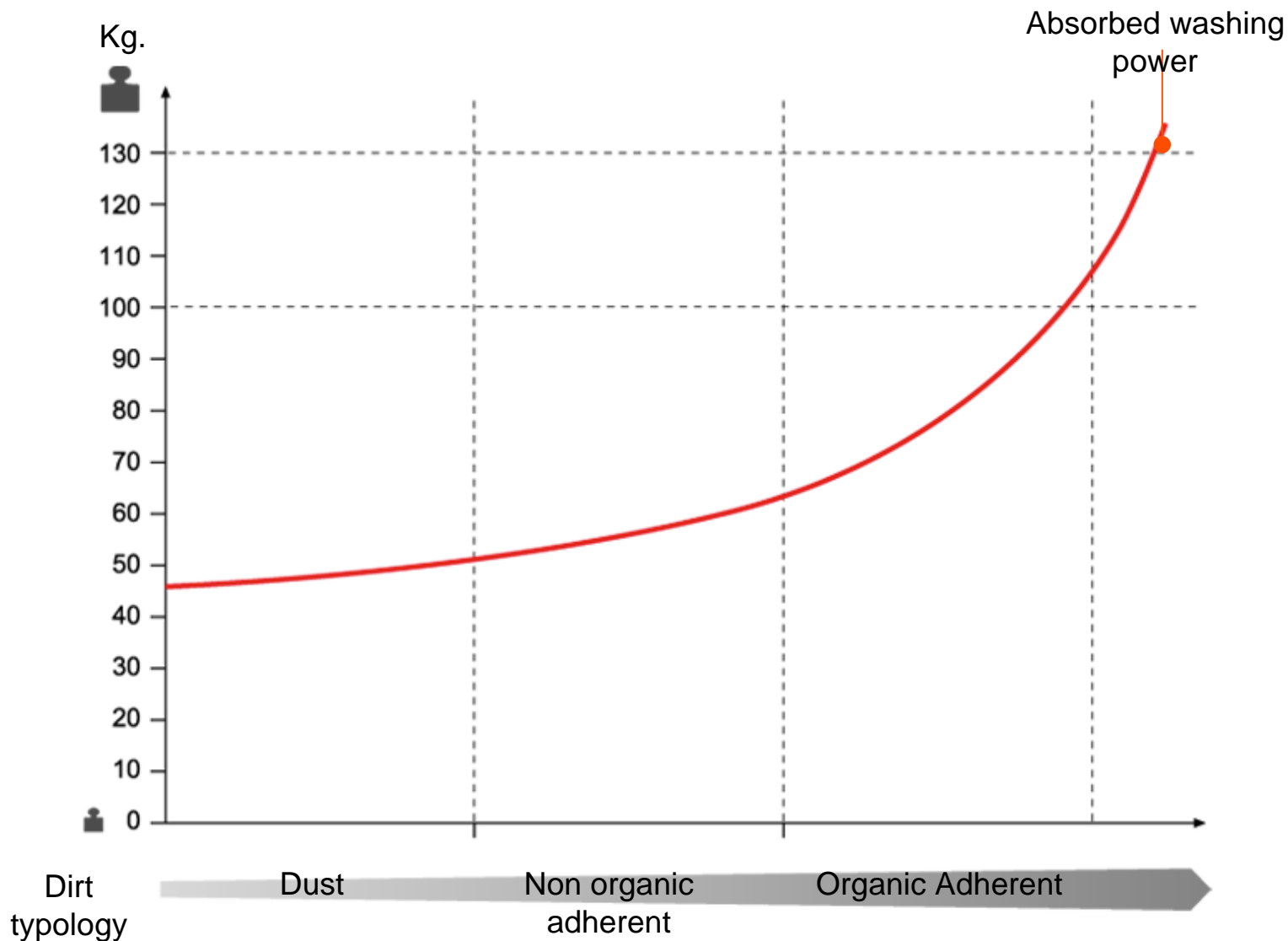
Type of dirt: **medium-heavy**

Speed adjustment: **medium**

Pressure adjustment: **80 kg**

Annual maintenance operations: **300**

Comparison between energy absorption

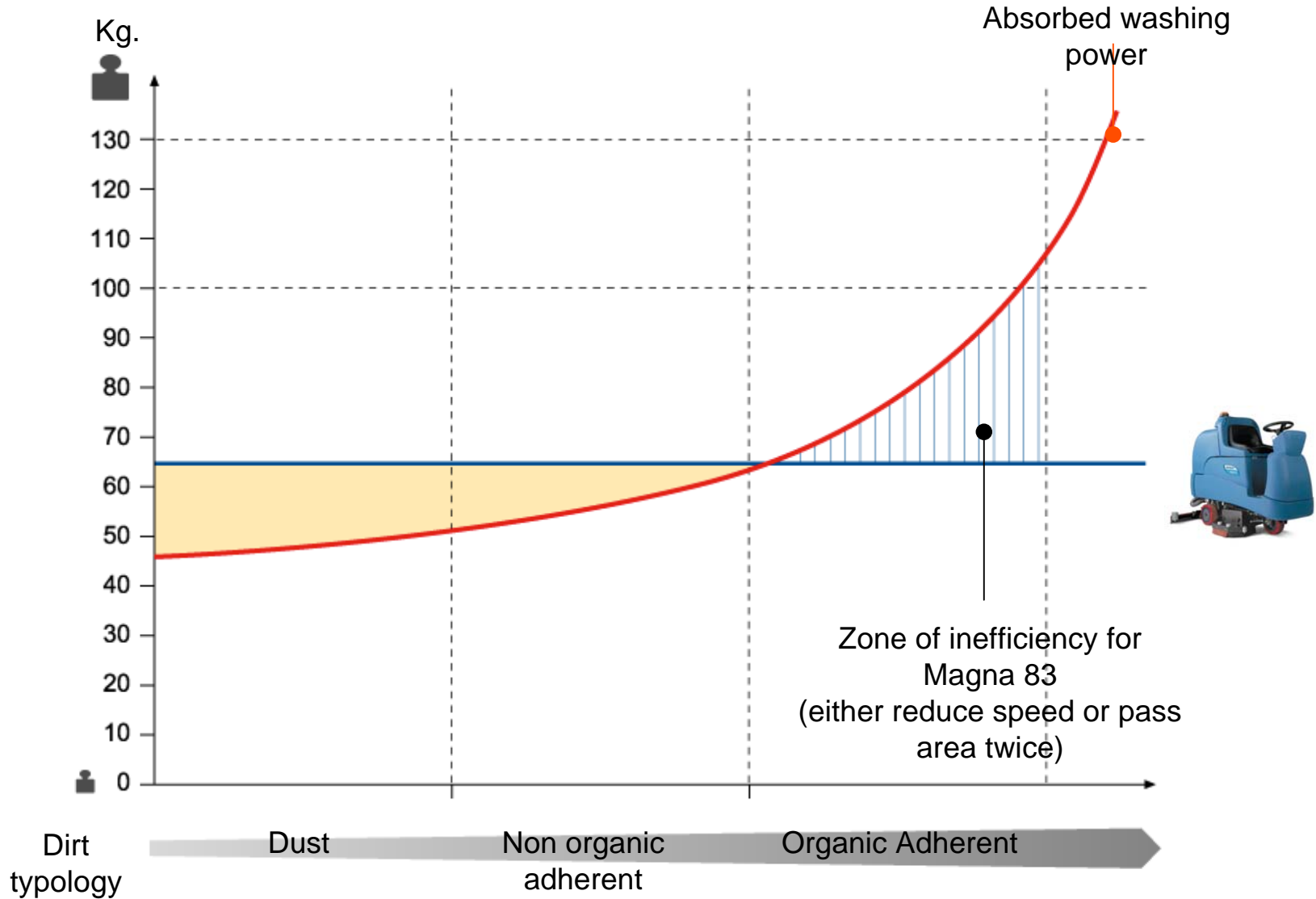


Mg scrubbing machine

Comparison between energy absorption



Working speed
5 Km/h

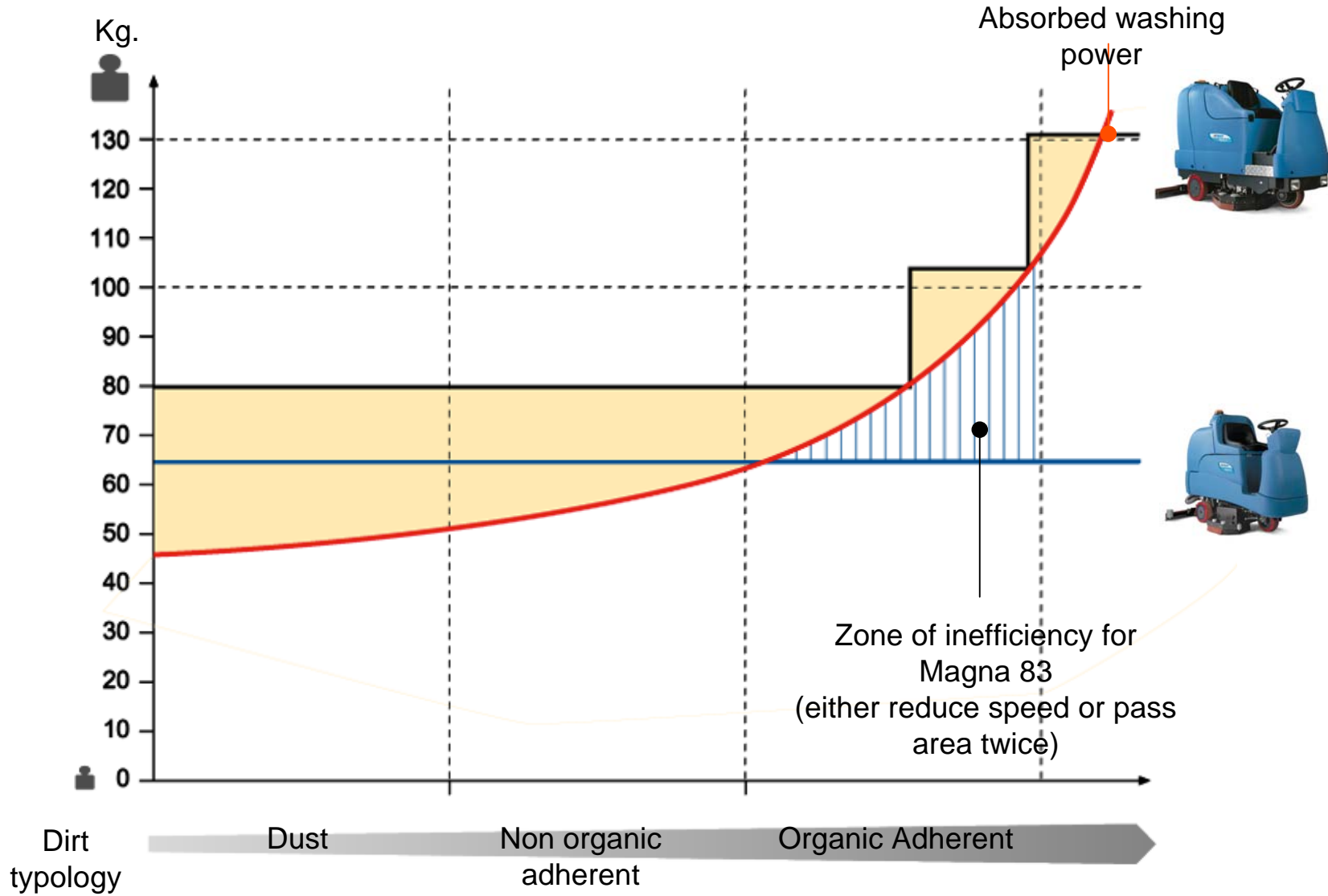


Mg scrubbing machine

Comparison between energy absorption



Working speed
5 Km/h

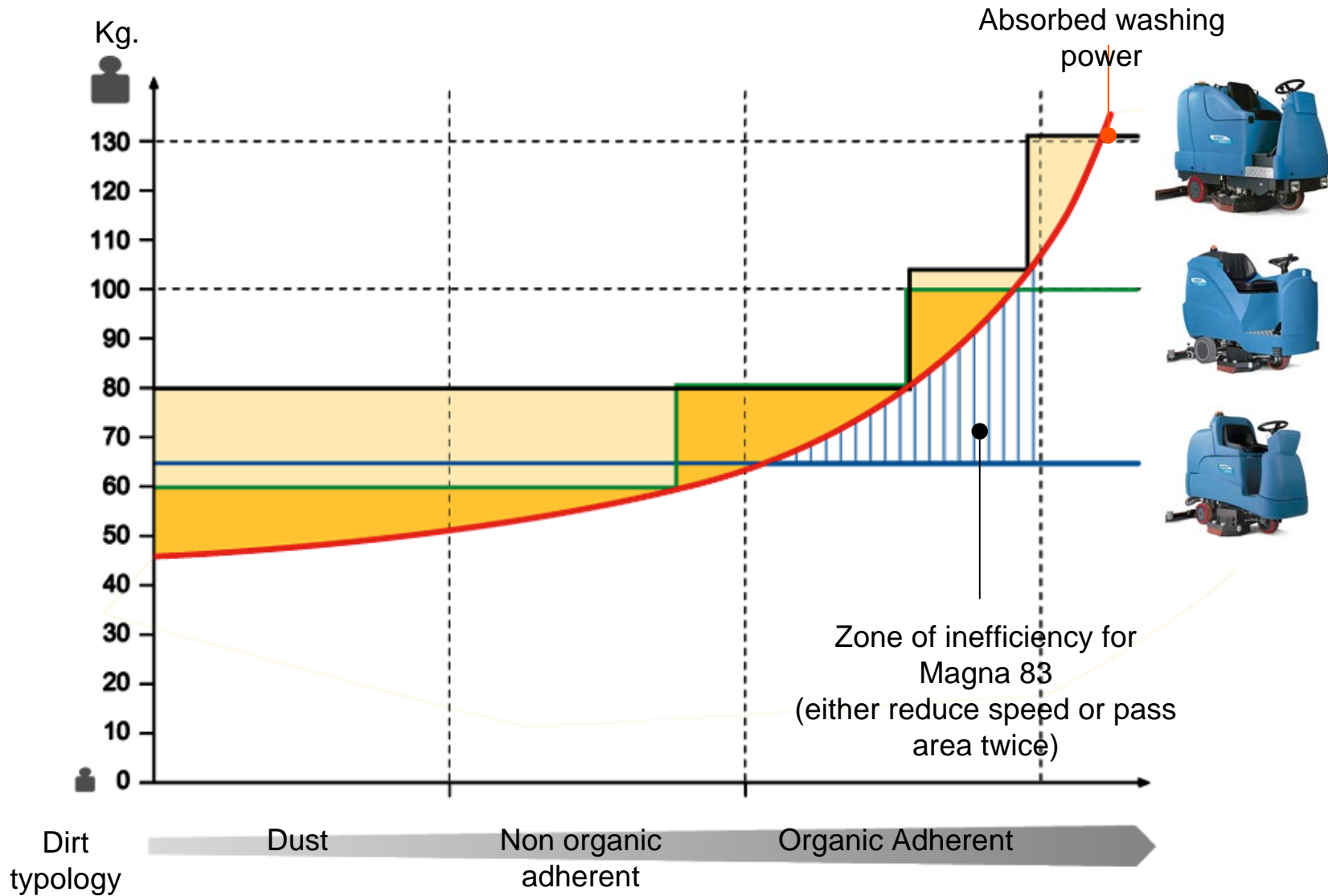


Mg scrubbing machine

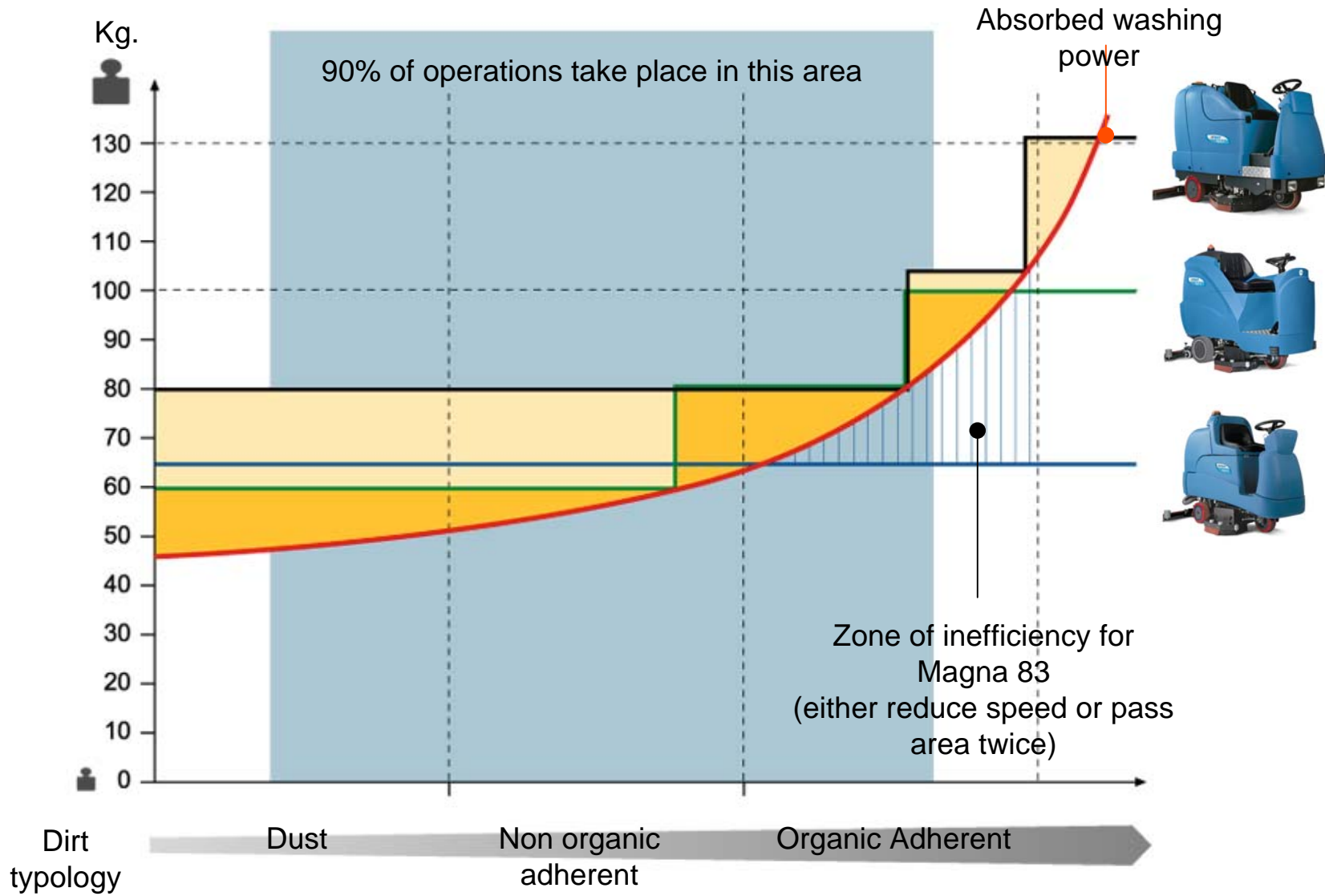
Comparison between energy absorption



Working speed
5 Km/h

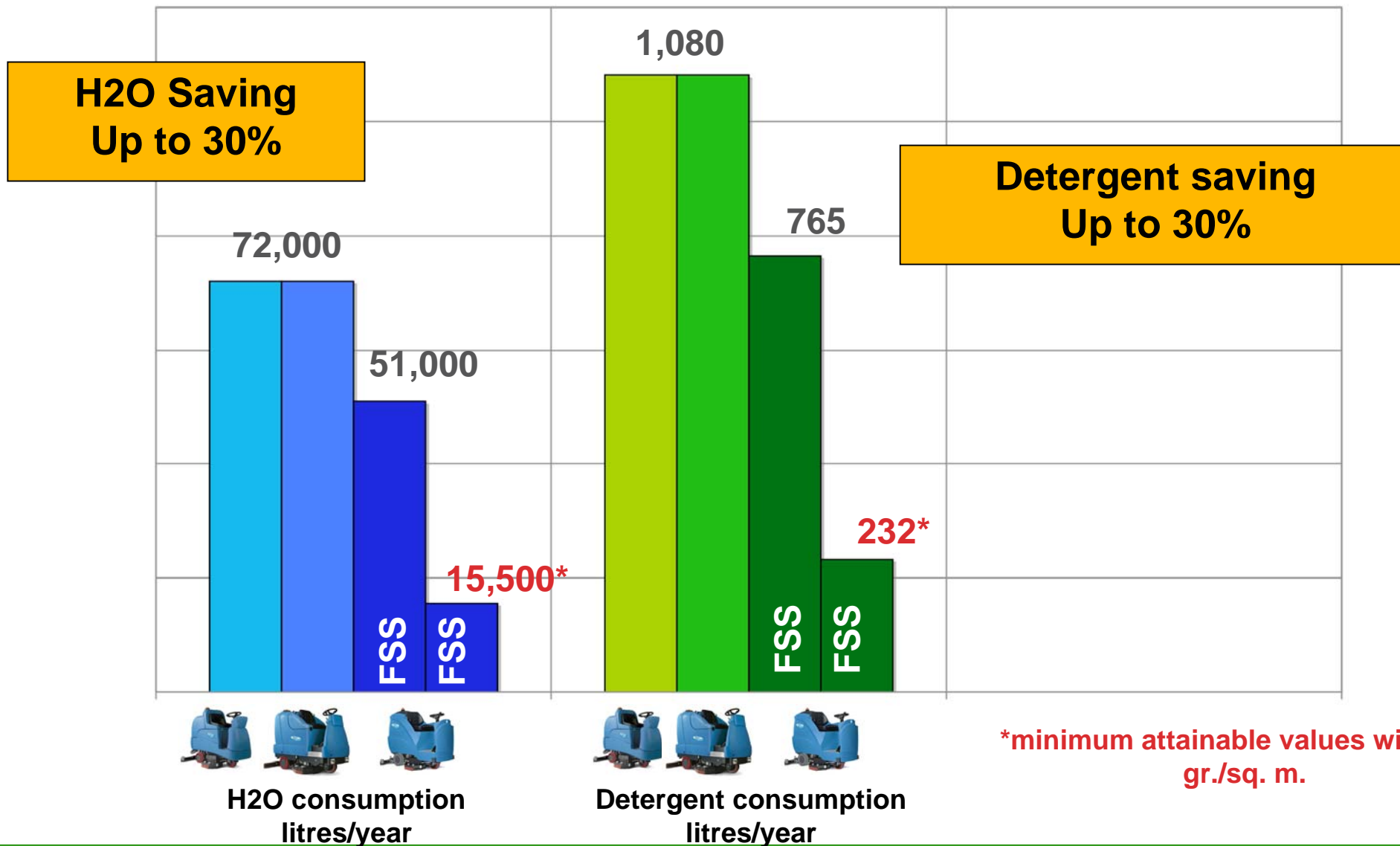


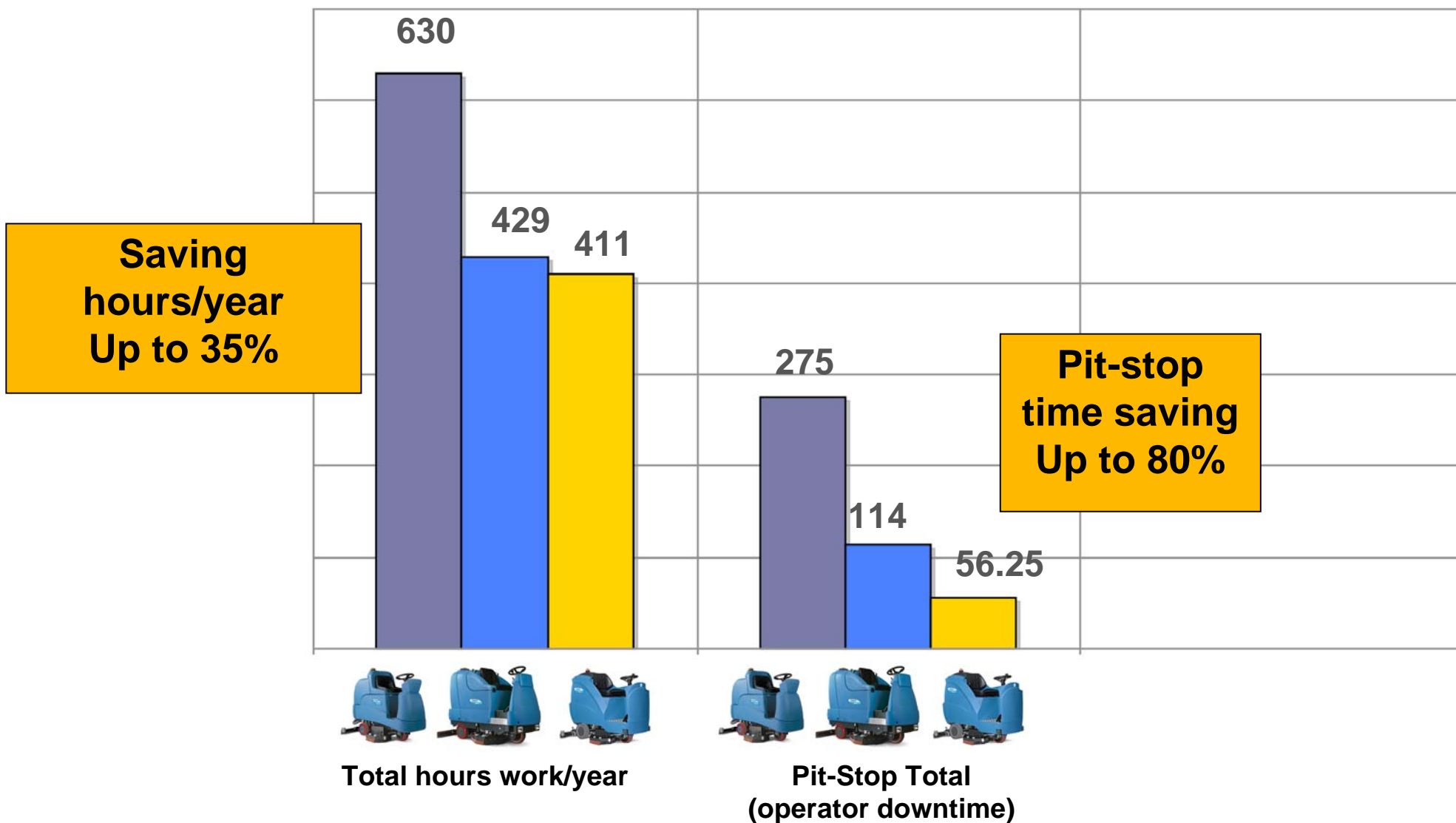
Working speed
5 Km/h

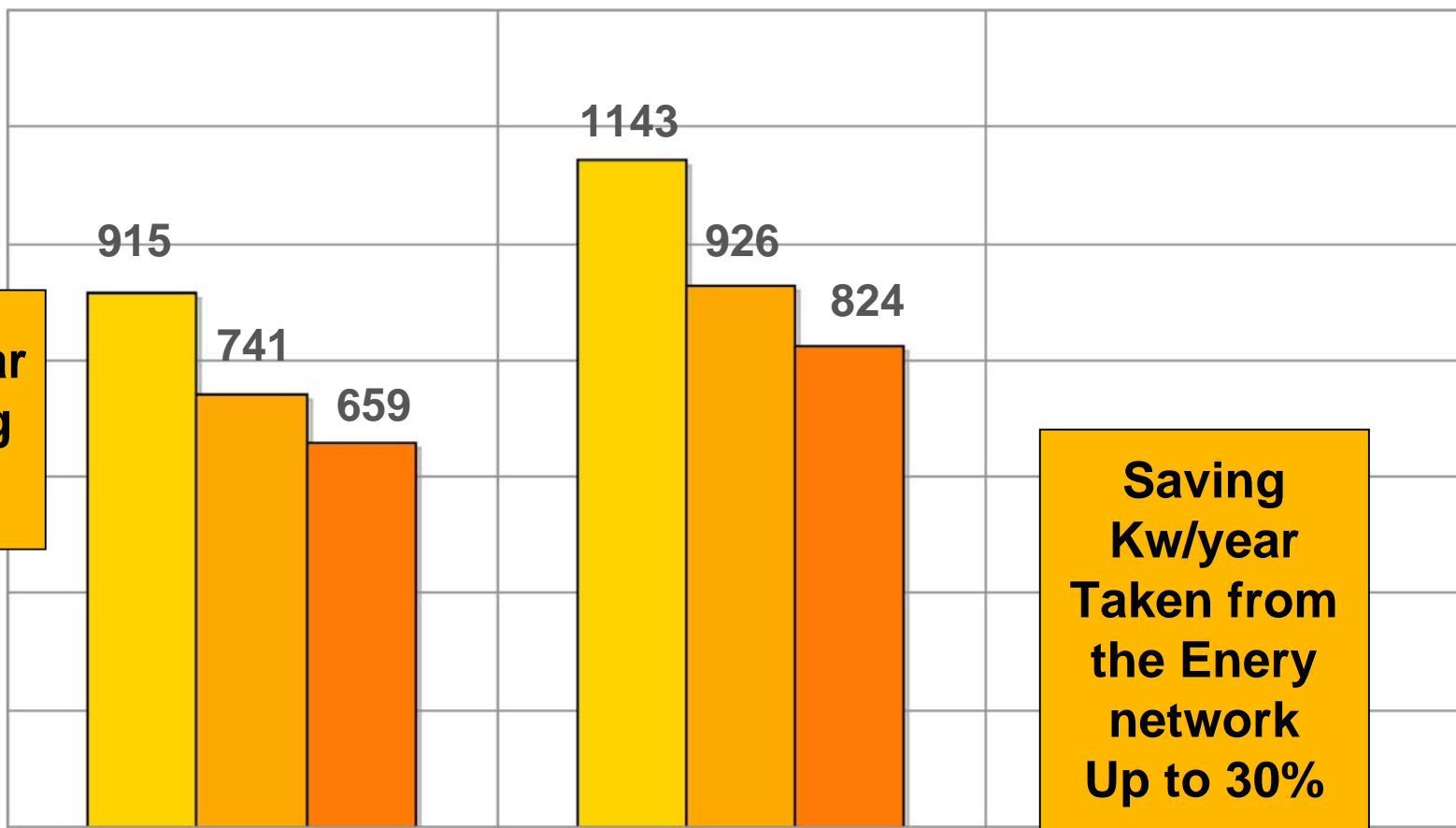


Mg scrubbing machine

+ More saving







**Saving Kw/year
While working
Up to 30%**

**Saving Kw/year
Taken from
the Energy
network
Up to 30%**



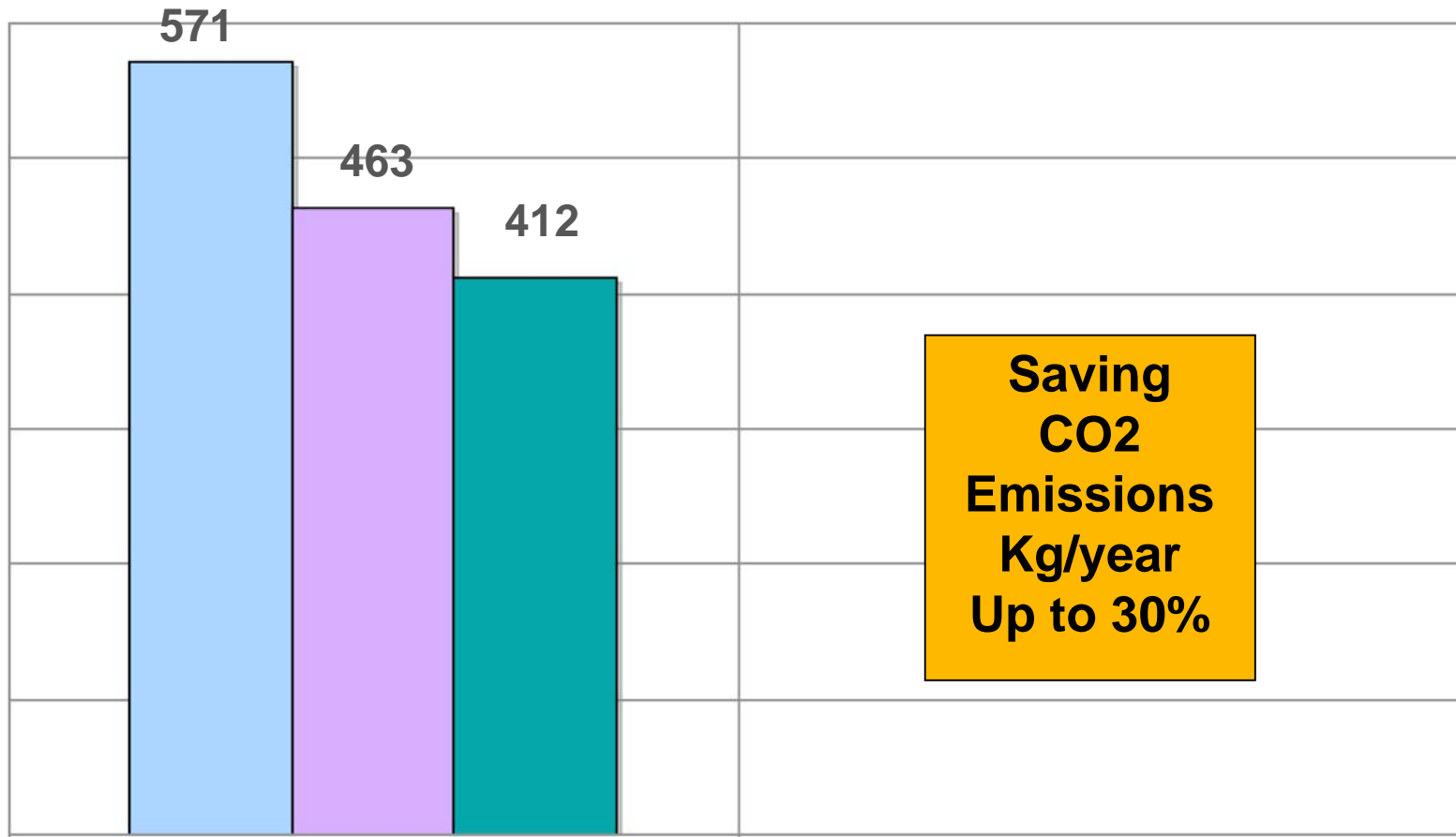
Kw consumed at work/year



**Kw taken from the network
for annual recharging**

Mg scrubbing machine

 Environmentally-friendly



CO2 Emissions Kg/year

Mg85 wins the sustainability comparison
with a result of 45% savings



2nd



1st



3rd

Mg scrubbing machine

Comparison



	Mg 85 (FIMAP)	BR 850 EDS (Nilfisk)	T15 D FAST (Tennant)	BD 90/140 R Bp (KARCHER)	HAKOMATIC B910	CT 160 BT 95 (IPC)	ENCORE R 38 (ALTO)	S5 150 S 85 (GHIBLI)
--	---------------	----------------------	----------------------	--------------------------	----------------	--------------------	--------------------	----------------------

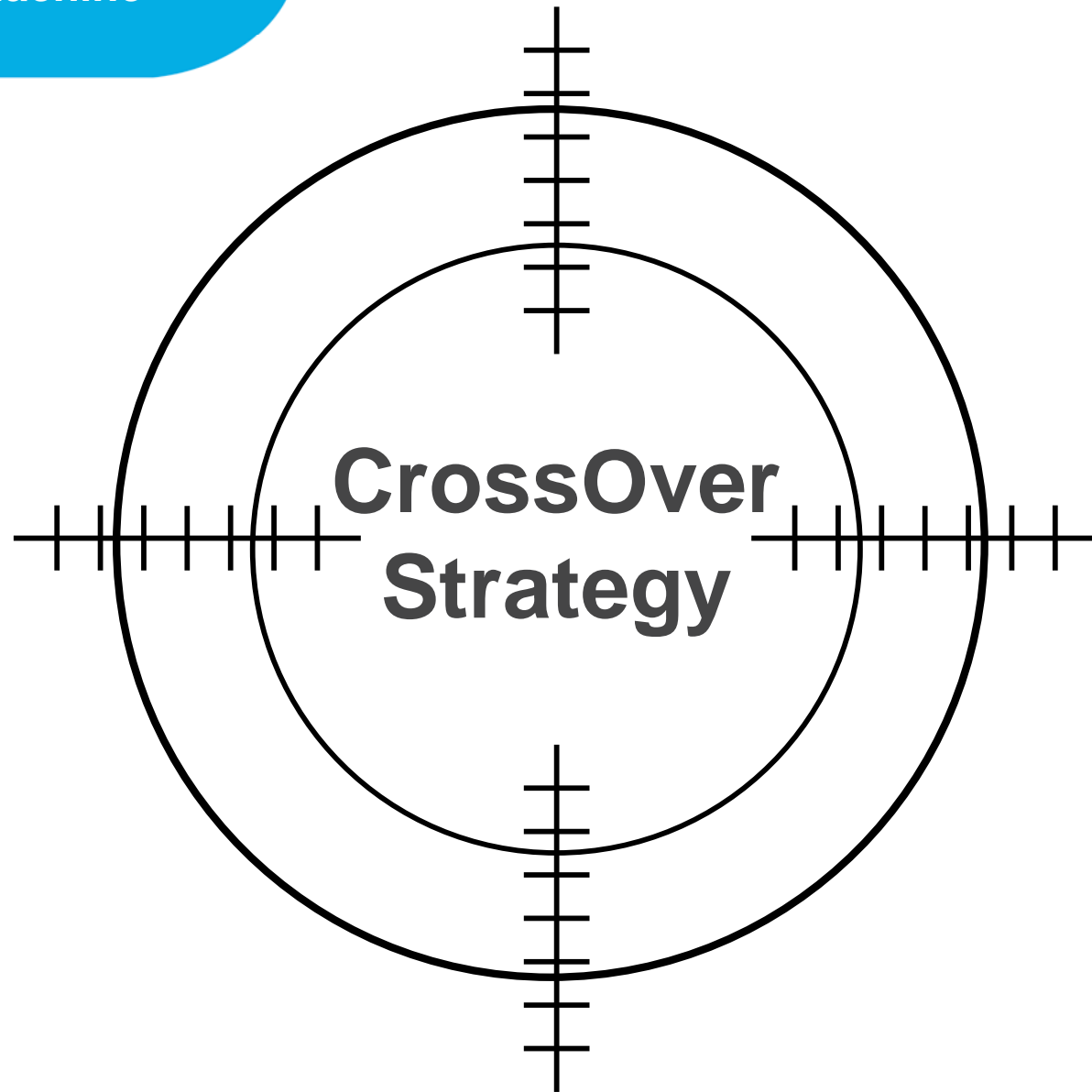
Working width	mm	850	810	900	900	900	920	960	850
Squeegee width	mm	1115	1060	1160	1060	1100	1100	1070	1050
Solution tank	l	170 (+12)	157	170	140	138	145	170	150
Recovery tank	l	175	157	210	140	138 membrane	170	170	160
Acoustic level	dB	64*	70*	73*	72		68	77,2	67
Electric plan	V	36	36	36	24	24	36	36	36
Machine dimensions (Lxhxw)	mm	1740x1310x850	1550x1350x880	1830x1360x1020	1550x1340x940	1900x1370x930	1720x1360x1100	1816x1295x1040	1680x1280x900
Brushes Ø/n°	mm/no.	430 (2)	406 (2)	460 (2)	460 (2)	460 (2)	2	480 (2)	440 (2)
Brush motor	W	1500		(2x) 560	(2x) 600	(2x) 820		(2x) 1360	2/400
Brush pressure	Kg	60-100	32-69-113	up to 91	110?	60		88	70
Brush rpm	rpm	200	250	320	180	240		300	190
Traction motor	W	700		1100	600	820		1100	900
Forward speed	Km/h	6	6,7	10	6	6	6,5	4	6
Turning diameter	cm	185	163	208	240	240		205	
Suction motor	V/W	36/670	36/	36/600	24/800	24/550		740	650
Suction vacuum	mbar	190		180	140	170			174
Batteries	V/Ah C5	36/240	36/320	36/235	24/400	24/320	36/320	36/330	36/330
Machine weight without batteries	Kg	350	295	501	230	333	355	457	255
Machine weight with batteries	Kg	937	785	850	690	730		751	543
Notes		* ISO 3744	* IEC 60704-I * ISO 3744(68) - P. tot. 2820W	* DIN 45635		Membrane tanks - Rear traction - 24V system - Limited manageability	Drive wheel exposed to impacts and difficult to maintain - Electrical system on circuit board (in the event of a fault, must be replaced completely) - Water filling system located directly above washing head - Seat not adjustable - Brush traction with directly geared motors	Drive wheel exposed to impacts and difficult to maintain - Large machine Manoeuvrability compromised -	Limited tank capacity - Limited pressure - Traction motor extends onto footboard

Mg scrubbing machine

Comparison



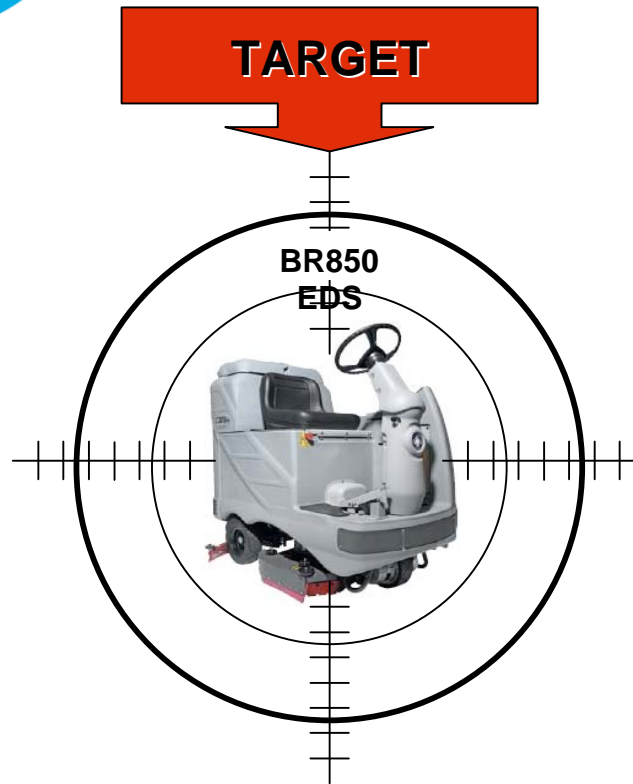
		Mg 85 (Fimap)	UNICA 85 (FIORENTINI)	KRON M1 (CTM)	JUMBO 962 (RCM)	H 815 (DULEVO)	ARA 80/100 BM 150 (COLUMBUS)	SPRINTER XR 90 Turbo (WETROK)	RA 900 SAUBER (CLEANFIX)
Working width	mm	850	850	870	950	850	800	900	860
Squeegee width	mm	1115	1250	1110	1100	1040	1200	1100	1050
Solution tank	l	170 (+12)	225	200	180	150	150	130	135
Recovery tank	l	175	195	210/240	195	157	150	130	130
Acoustic level	dB	64*	81	<70				76/68	
Electric plan	V	36	36	36	36	36	36	24	
Machine dimensions (Lxhxw)	mm	1740x1310x850	1425x1440x710	1900x960x1450	1810x1430x980	1700x1533x865	1900x1440x930	1550x1500x960	1720x1320x900
Brushes Ø/n°	mm/no.	430 (2)	410 (2)	430 (2)	2	435 (2)	2	2	430 (2)
Brush motor	W	1500	36/500	1500		2/400		970	
Brush pressure	Kg	60-100	65			70/90	100?	106	
Brush rpm	rpm	200	170	150			160	26/100	
Traction motor	W	700	750	900		900		160	
Forward speed	Km/h	6	6			7	7,5	970	
Turning diameter	cm	185					200	4 - 8.5 (Turbo)	210
Suction motor	V/W	36/670	36/2x850	600 (3 levels)		650		180	
Suction vacuum	mbar	190	150			180	170	550/2x550	200/220
Batteries	V/Ah C5	36/240	36/330		36/360	36/280	24/480	24/280	24/240
Machine weight without batteries	Kg	350	365	355	377	312	320	285	
Machine weight with batteries	Kg	937	616				850	520	590
Notes			Recovery tank capacity - Machine built too high, high centre of gravity - Double front wheel - Limited brush pressure - Reduced washing capacity - Noisy - NO DOSING SYSTEM	Large dimensions - Rear wheel drive - Manageability - NO DOSING SYSTEM	Large dimensions - Manageability - High centre of gravity - NO DOSING SYSTEM	Limited tank capacity - 280 L RECIRCULATION - Drive wheel exposed to impacts and difficult to maintain - System of directly-geared motors on brushes	Requires oversized batteries for the 24 V system - Limited manageability due to dimensions - NO DOSING SYSTEM - Drive wheel exposed to impacts and difficult to maintain	Membrane - Limited tank capacity - 24 V system - Limited battery capacity - NO ON-BOARD DOSING SYSTEM - High centre of gravity - Limited autonomy with the specified services	Limited tank capacity - 24 V system - Large dimensions - Limited manoeuvrability - NO DOSING SYSTEM



Mg scrubbing machine



Working width: 85 cm
Width with squeegee: 111 cm
Solution tank: 105 l
Batteries: 36V / 240Ah
Acoustic level: 70 dB (A)



Working width: 81 cm
Width with squeegee: 106 cm
Solution tank: 157 l
Batteries: 36V / 320Ah
Acoustic level: 70 dB (A) - 1.5 m
Antiskid wheels: upon request
EDS: upon request
Flashing: upon request
.....



Working width: 85 cm
Width with squeegee: 111 cm
Solution tank: 170 l
Batteries: 36V / 240Ah
Acoustic level: 64 dB (A)
FSS - FNC - FES - Antiskid wheels
FFF Rapid water filling
Rotating squeegee
Tank cleaning,
FULL OPTIONALS

Mg scrubbing machine

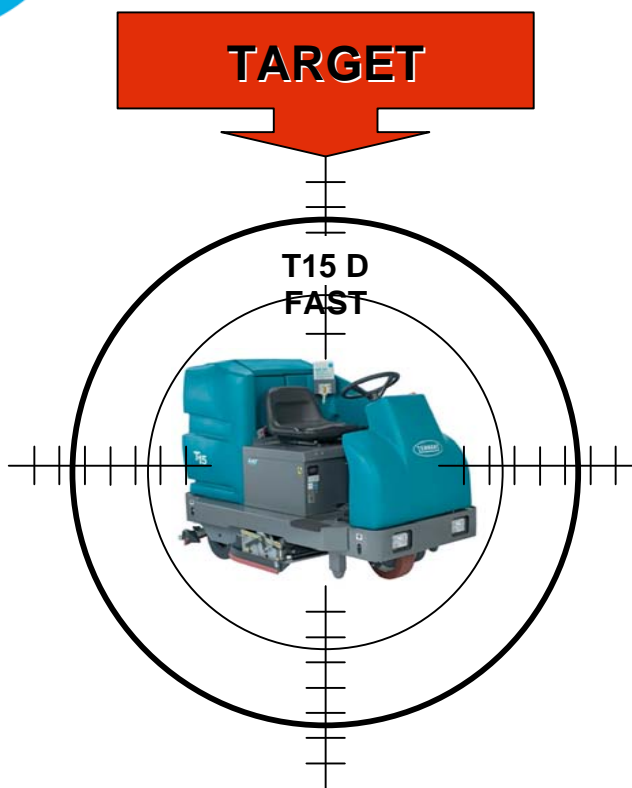
Magna
85



OLD

Working width: 85 cm
Width with squeegee: 112 cm
Solution tank: 200 l
Batteries: 36V / 360Ah
Acoustic level: 70 dB (A)
Dimensions: 196x150x87 cm

TARGET



T15 D
FAST

Working width: 90 cm
Width with squeegee: 116 cm
Solution tank: 170 l
Batteries: 36V / 235Ah
Acoustic level: 73 dB (A) - 1.5 m
Dimensions: 183x136x102 cm
The machine is wider than the working area (cannot clean along walls)

Mg85 B



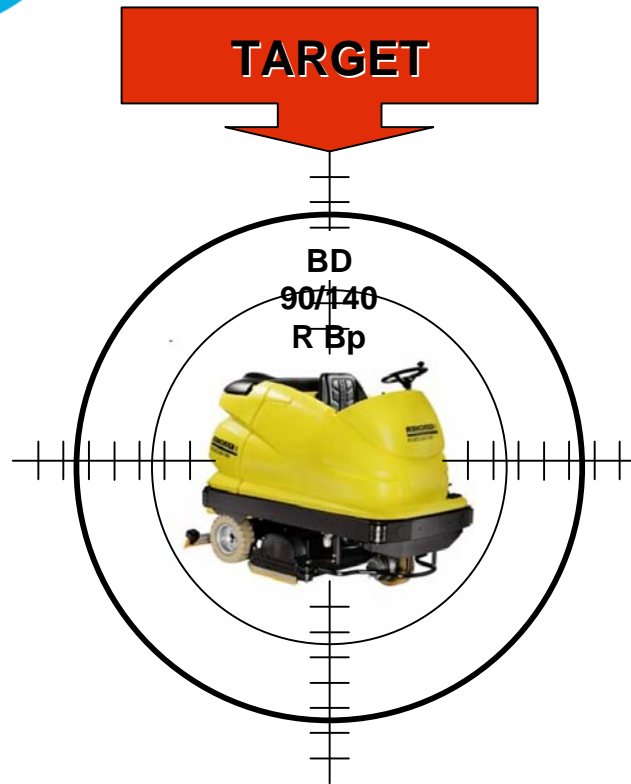
NEW

Working width: 85 cm
Width with squeegee: 111 cm
Solution tank: 170 l
Batteries: 36V / 240Ah
Dimensions: 174x131x85 cm
Acoustic level: 64 dB (A)
FSS - FNC - FES - Antiskid wheels
FFF Rapid water filling
Rotating squeegee
Tank cleaning,
FULL OPTIONALS

Mg scrubbing machine



Working width: 85 cm
Width with squeegee: 111 cm
Solution tank: 105 l
Batteries: 36V / 240Ah
Acoustic level: 70 dB (A)



Working width: 90 cm
Width with squeegee: 106 cm
Solution tank: 140 l
Batteries: 24V / 400Ah
Acoustic level: 72 dB (A) - 1.5 m
uncomfortable water filling position
Closed on RH, limited visibility
Structure too small



Working width: 85 cm
Width with squeegee: 111 cm
Solution tank: 170 l
Batteries: 36V / 240Ah
Acoustic level: 64 dB (A)
FSS - FNC - FES - Antiskid wheels
FFF Rapid water filling
Rotating squeegee
Tank cleaning,
FULL OPTIONALS

Mg scrubbing machine



Working width: 85 cm
Width with squeegee: 111 cm
Solution tank: 105 l
Batteries: 36V / 240Ah
Acoustic level: 70 dB (A)



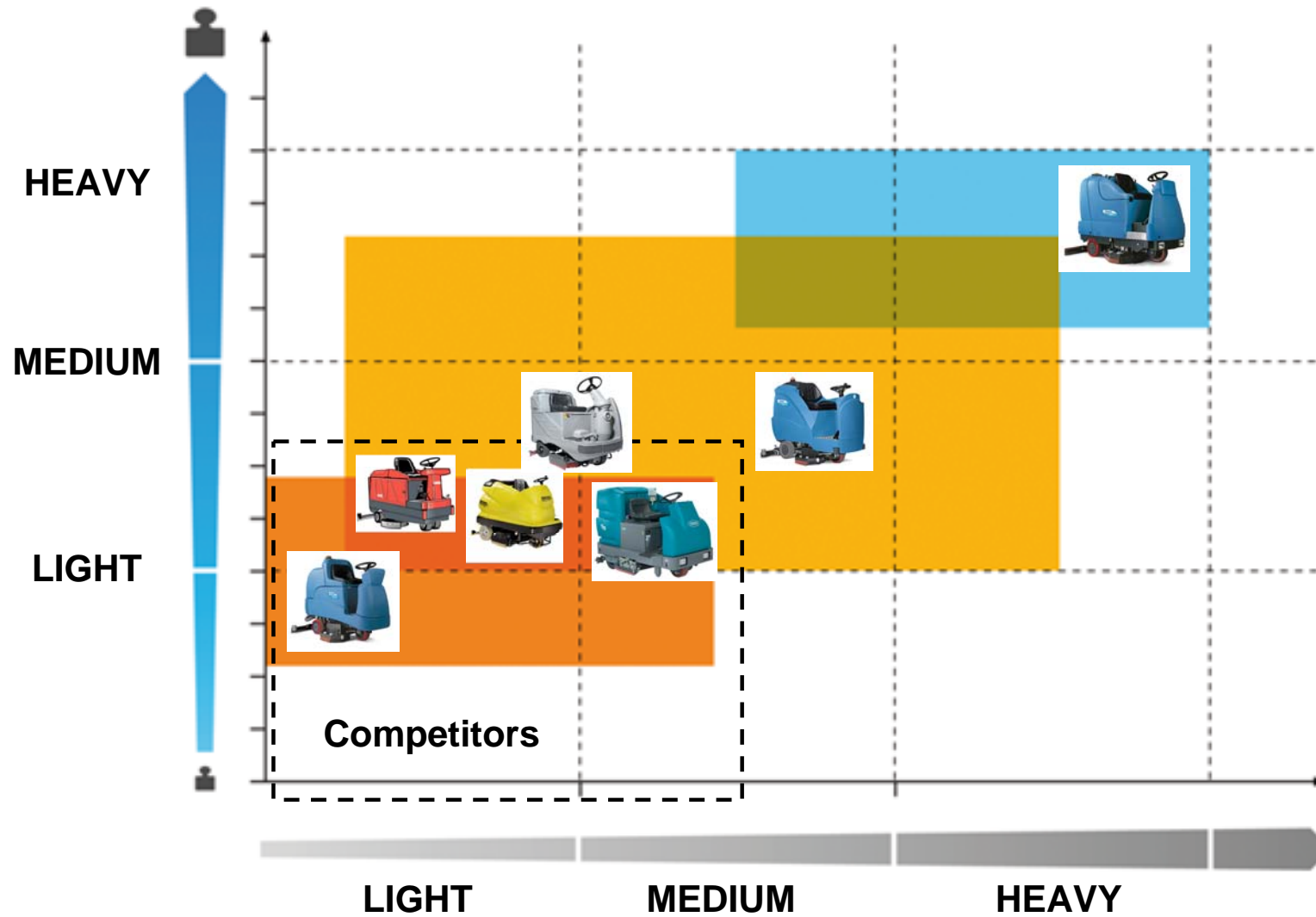
Working width: 90 cm
Width with squeegee: 110 cm
Acoustic level: -
Solution tank: 138 l membrane
Batteries: 24V / 320Ah
Manoeuvrability (rear traction)
Limited brush pressure
No dosing system



Working width: 85 cm
Width with squeegee: 111 cm
Solution tank: 170 l
Batteries: 36V / 240Ah
Acoustic level: 64 dB (A)
FSS - FNC - FES - Antiskid wheels
FFF Rapid water filling
Rotating squeegee
Tank cleaning,
FULL OPTIONALS

Mg scrubbing machine

Positioning



Mg scrubbing machine

Ownership of the information and/or documents:

All information (by which we mean all data and information with the sole exception of that of common knowledge or which FIMAP has disclosed without reserve) and all documents (drawings, photos, etc.) are the exclusive property of FIMAP and their use does not mean there is any kind of acquisition of titles, property or exploitation of rights or licences except for the limited permission of use ruled by this document.

By way of example and, therefore, not limited to, such information and/or documents can be the following:

Marketing section:

high definition digital images for the implementation of commercial catalogues on paper or web sites, company trademarks, original graphical documents from which texts are taken (e.g. the descriptive notes), PDF documents and original documents in .ppt format.

Professional use of the data:

It is a known fact that the information and/or documents, subject of this commitment, are and will be used by the beneficiary exclusively for carrying out his professional business and, therefore, no specific laws regarding consumer protection are applicable.

Confidentiality:

The Party that benefits from the information or use of documents taken from or, in any case, part of the commercial documentation, shall use all such information and/or documents with maximum care solely for the purposes connected to execution of this contract with FIMAP and shall:

keep such information and/or documents confidential except for those, due to their nature, which are to be disclosed (promo-advertising material etc.);

shall not divulge any information and/or document to its suppliers, collaborators or employees beyond what is strictly necessary so that they may fulfil their tasks concerning relations with FIMAP and shall ensure that the suppliers, collaborators and employees that have access to the information and/or documents are, in turn, bound by a confidentiality commitment to the benefit of FIMAP; shall not divulge any information to third parties without the prior written consent by FIMAP; copy and/or in any other way reproduce any information or document without the prior written consent of FIMAP; take all the necessary measures to protect confidentiality.

Returning Information and/or documents:

Whilst maintaining exclusive ownership at all times, FIMAP has the right, at any time, to ask in writing or by e-mail, that all the information and/or documents received be returned or no longer used and within the term of thirty days from receipt of this request, all the information and/or documents must be returned, including any copies, or destroy such information and/or documents and relative copies so as to prevent them from being recovered and FIMAP must be given a written declaration certifying that the information and/or documents have all either been returned or destroyed.

This obligation to return, destroy or no longer use is set automatically in motion when the relationship is cancelled with FIMAP for any reason whatsoever.

Applicable law, cancelling clauses and Court having jurisdiction:

The interpretation, integration, execution and the effects of this commitment will be governed by Italian law.

If one or more points of this agreement are cancelled it does not invalidate the remaining points.

All disputes will be put to the exclusive jurisdiction of the Verona Courts.