



 **FIMAP**[®]

MMg



Welcome to the dimension of cleaning 4.0!

Quality you can see for yourself: a design that's a pleasure to look at, which accentuates every single detail

PLUS



The precisely defined forms of the front give the machine a decisive character exuding an impression of unrivalled robustness.

Taking pride of place at the lower part of the front is an elegant, elongated front fascia between 2 LED headlights creating a boldly expressive look.





The clean, flowing lines continue to the rear of the machine, lending a sense of dynamism to the whole and underscoring the exclusiveness and attention to detail of the design.

The design is complemented to perfection by materials selected and used according to the most exacting standards, making a bold visual statement that expresses the essence and extraordinary quality of this machine.

MMg



DESIGN

DESIGN

The entire outer structure is made from robust and sturdy high density polyethylene

Any minor knocks during use are absorbed completely by the integrated bumpers



DESIGN

The rounded design of the body protects the machine and keeps the value of your investment over time

The low centre of gravity ensures outstanding stability when working and manoeuvring, even in bends or when climbing ramps

The compact height facilitates access to the tanks, making maintenance easier and more practical

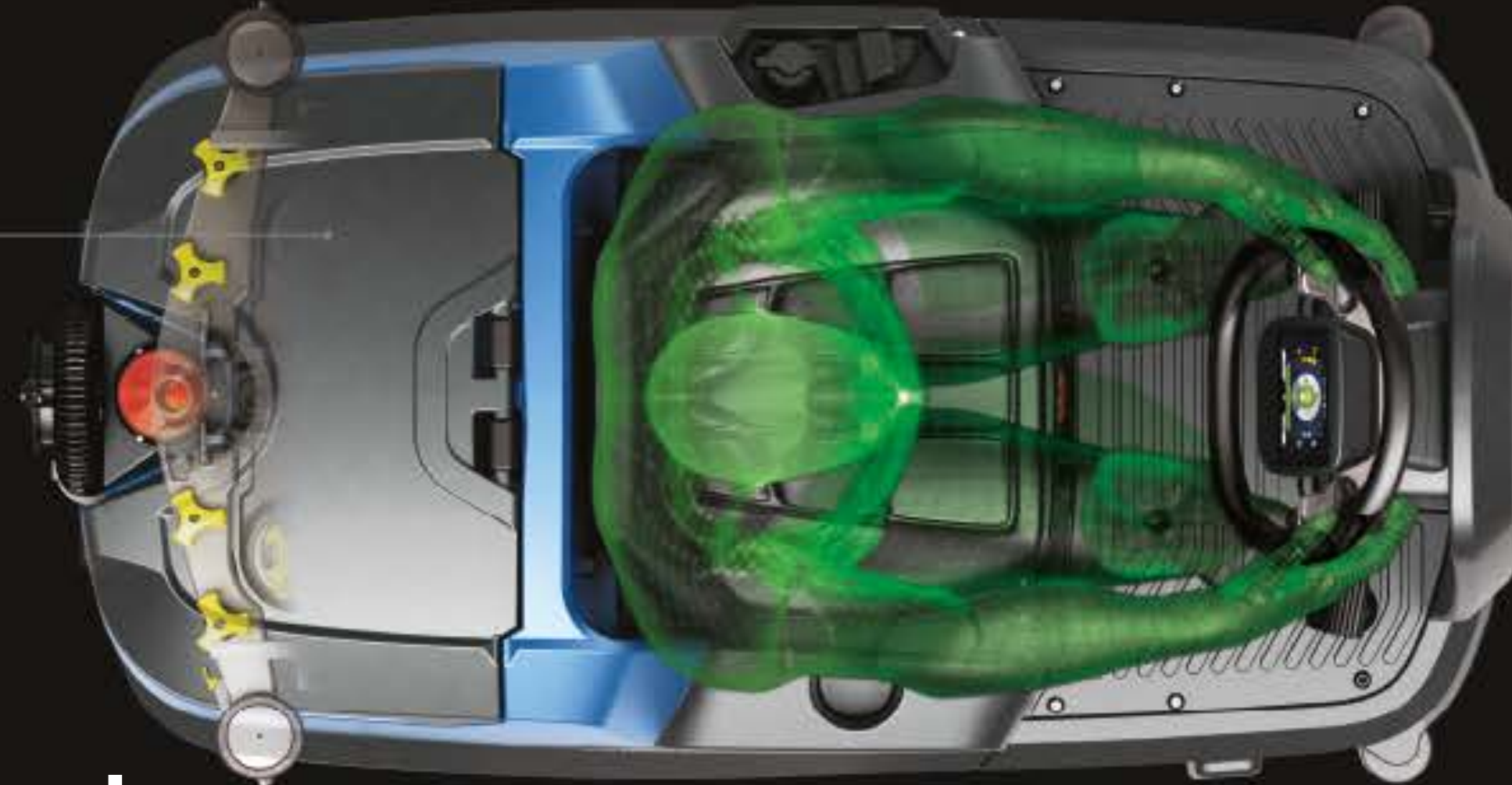


MMg



COMFORT

COMFORT



Padded in soft material, the seat boasts ergonomic forms offering effective back support and also features forwards and backwards adjustment. This equates to a stress-free experience for the operator, who can work for hours on end without any effort



Boasting FNC and Eco Mode technology, the MMg can also work extremely quietly when needed, to safeguard the health of the operator and of any people nearby

COMFORT



The lateral paddles offer the operator even greater control over the machine, for total peace of mind and a comfortable, safe driving experience

COMFORT



The design of the front maximizes the room for the legs and brings the steering wheel closer to the operator, making the machine even more comfortable to use

COMFORT

The footrest zone is designed to offer impressive space for the feet despite the compact dimensions of the machine



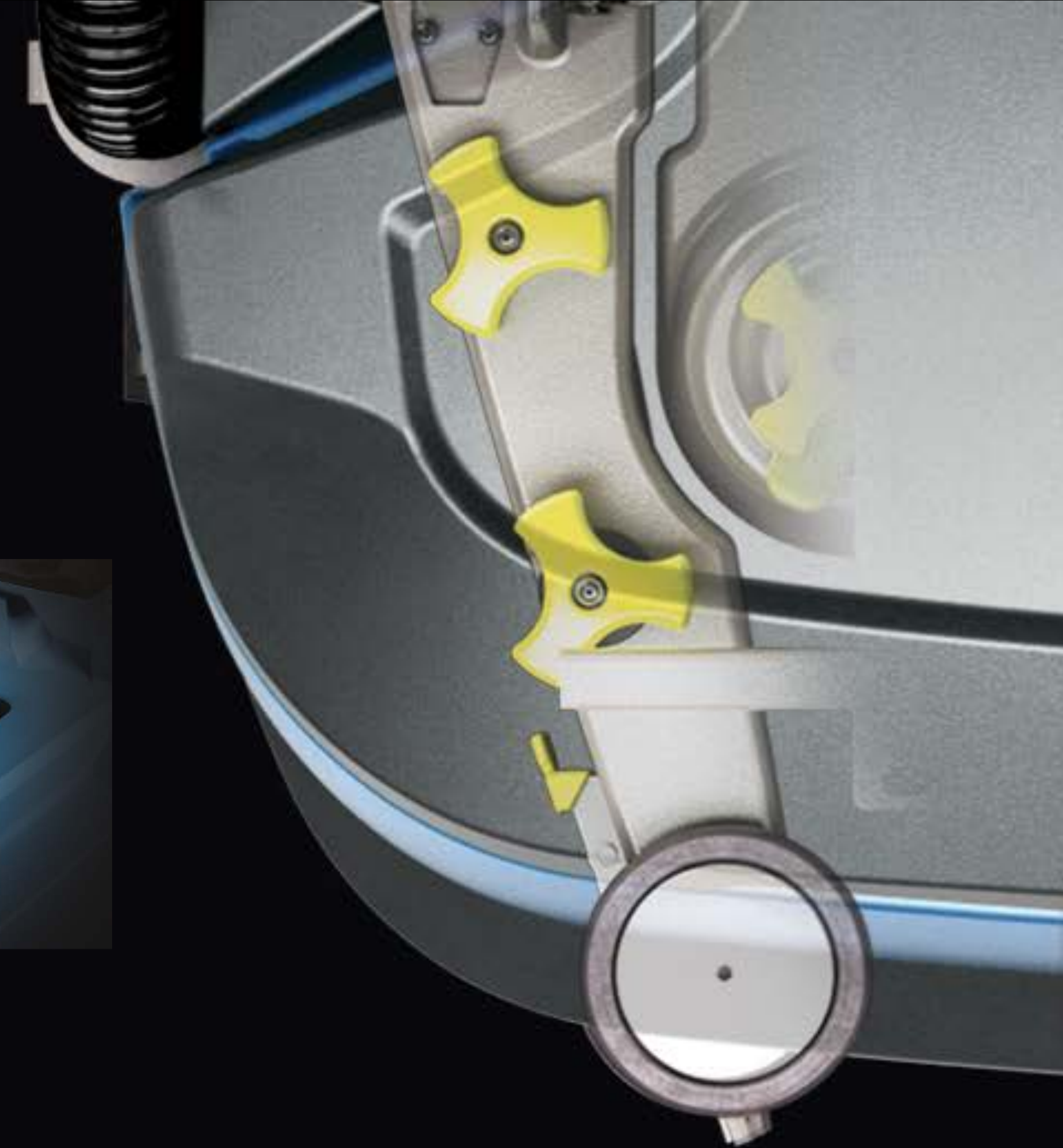
The lowered footboard facilitates access from both sides and allows the operator sit easily without any efforts

COMFORT

YELLOW COLOUR-CODED PARTS



Parts which must be cleaned regularly at the end of every shift are colour coded in yellow for easy identification, saving time and making sure that your scrubbing machine is kept in perfect condition at all times



MMg



PERFORMANCES

PERFORMANCES AND PRODUCTIVITY



When more scrubbing power is needed, activating Power Mode increases the delivery rate of detergent solution and boosts brush pressure and vacuum power for the time necessary to tackle heavy duty cleaning

PERFORMANCES AND PRODUCTIVITY

REAR VIEW CAMERA

Lets the operator monitor cleaning results in real time from the display, without taking his or her eyes off the direction of travel

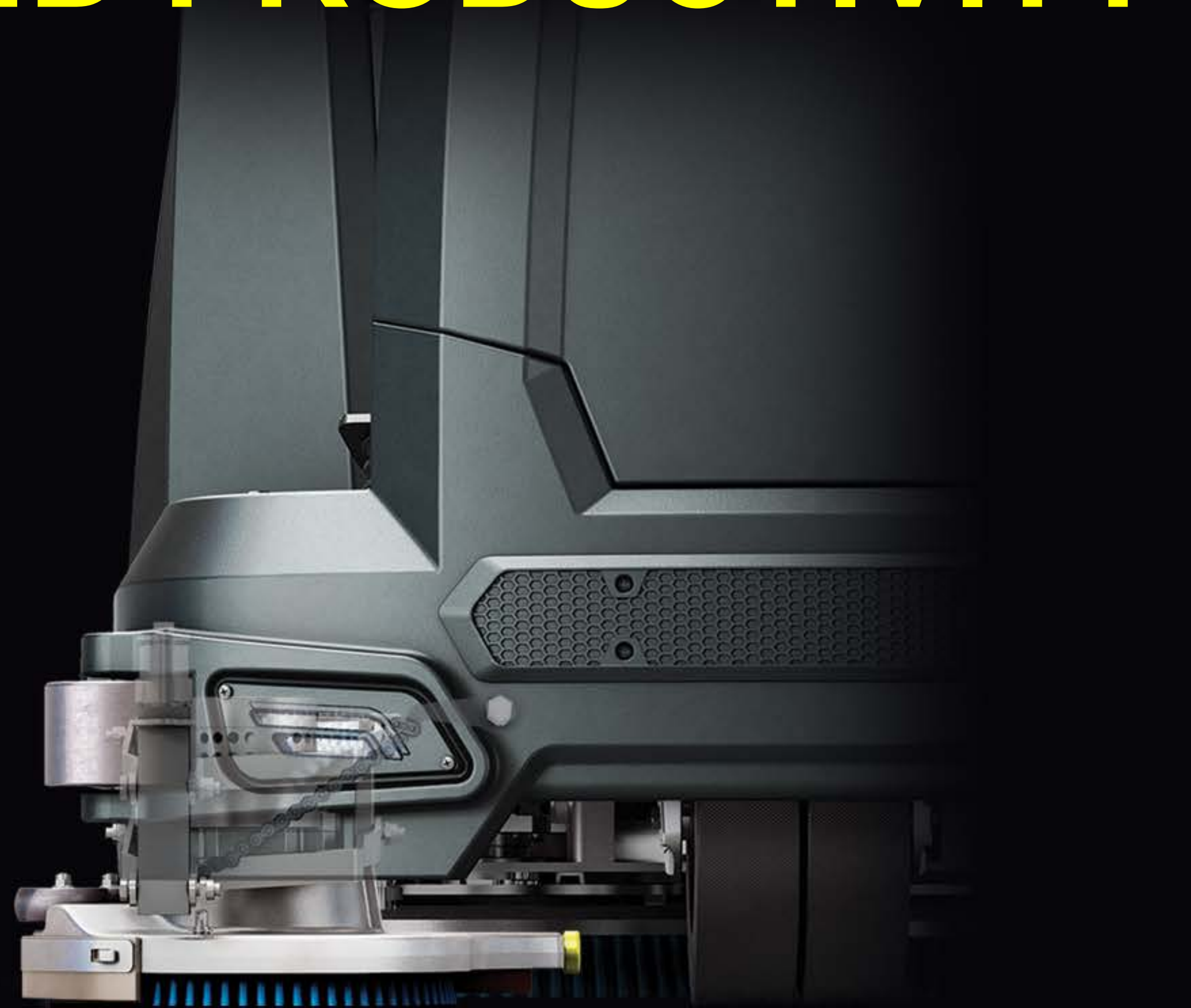


PERFORMANCES AND PRODUCTIVITY



A LATERAL BRUSH FOR EVEN MORE GREATER PRODUCTIVITY

The third brush moves laterally to facilitate cleaning along walls or shelves, increasing productivity by up to 15%



PERFORMANCES AND PRODUCTIVITY



“ZONE” PERSONALIZED CLEANING PROGRAMS

To ensure the desired cleaning results in all conditions and prevent the risk of tampering, the site supervisor can save a number of separate configurations with specific cleaning parameters for different work environments. The operator simply has to select the zone to be cleaned, and the machine is configured automatically with all the right settings

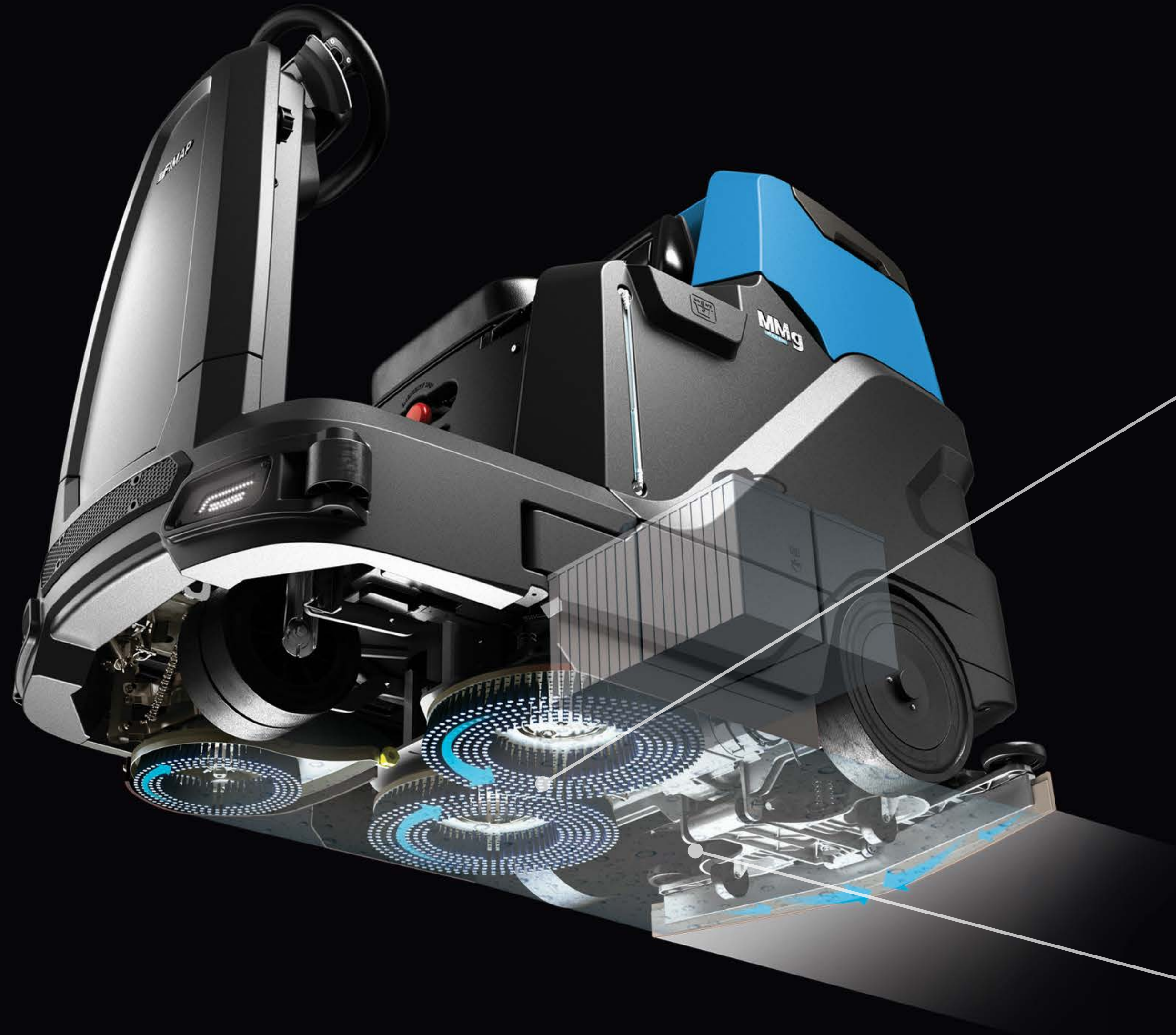
PERFORMANCES AND PRODUCTIVITY

Light steering for even more operator comfort

The dual front wheel reduces the specific pressure exerted on the floor, making the steering action lighter. This solution also increases manoeuvrability and prevents marking, even on the most delicate floors



PERFORMANCES AND PRODUCTIVITY



Up to 100 Kg of pressure

With a brush pressure settable to up to 100 Kg, the machine can tackle even the most stubborn dirt

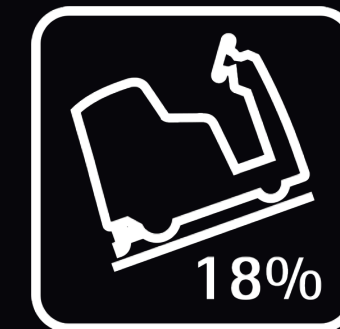
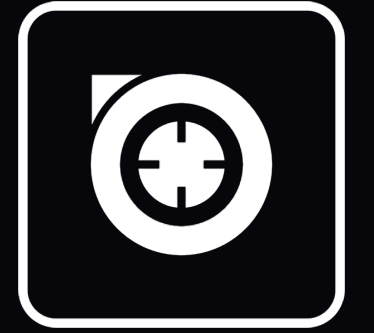
Save time by working faster

Up to 6 Km/h in work mode and 8 Km/h in transfer mode

PERFORMANCES AND PRODUCTIVITY

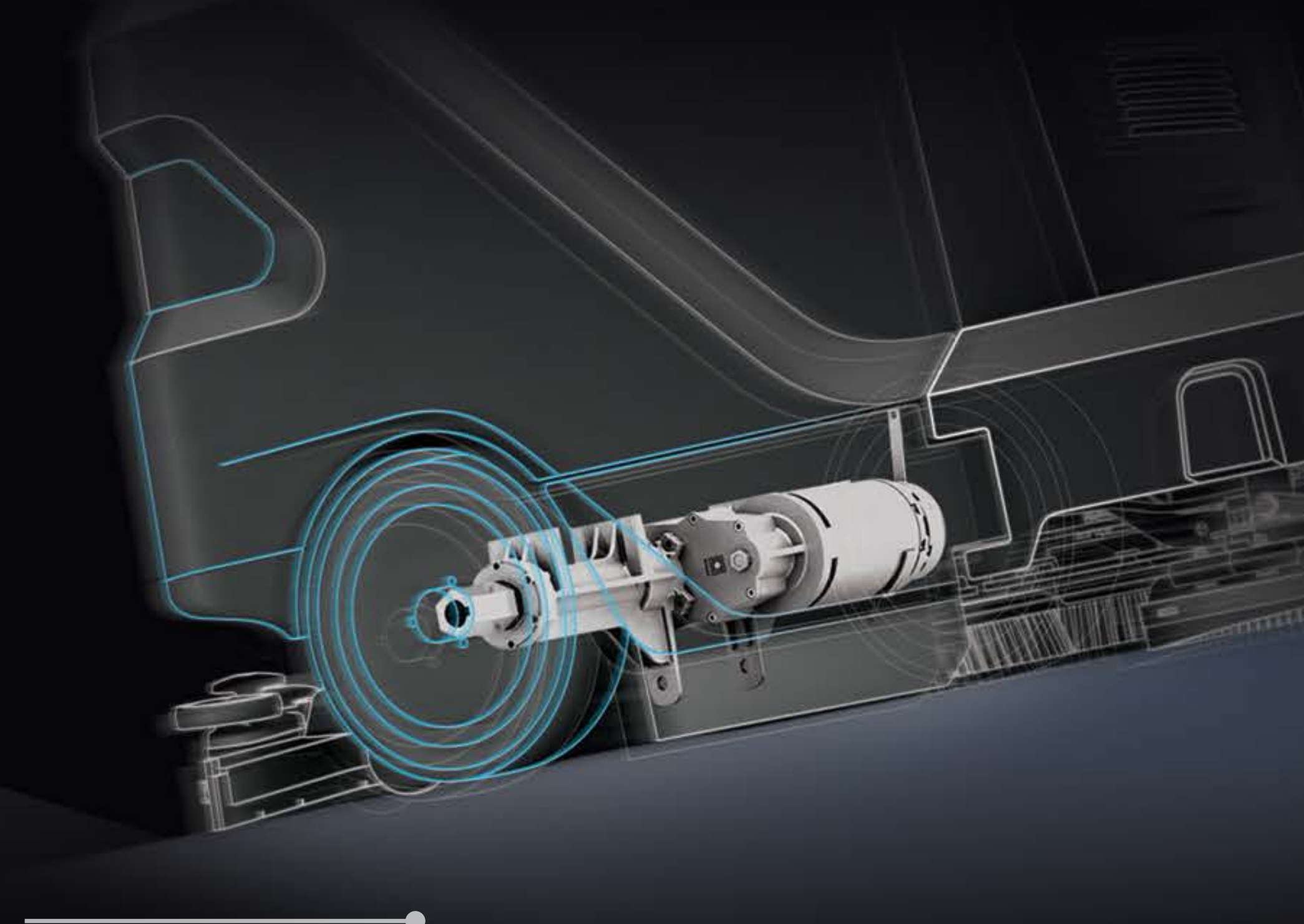
3-stage vacuum motor

Effective vacuum system which leaves the floor dry with no risk of slipping



Outstanding performance in any situation

MMg is capable of climbing ramps up to 18%. A special electronic control modulates power precisely, allowing the machine to climb ramps easily and smoothly, with no interruption or loss of power delivery



PERFORMANCES AND PRODUCTIVITY



Great autonomy

Work for up to 5 hours
non-stop



FLR-FIMAP LONG RANGE

Increases productivity by up to 70%

MMg



SAFETY

SAFETY

Safety is paramount

The MMg is equipped with a host of safety systems and features to keep the operator in complete control at all times and work with total peace of mind



SAFETY

ANTI COLLISION SYSTEM



The anti-collision system detects obstacles when reversing, helping the operator work in complete safety and protecting the machine

REAR VIEW CAMERA



Facilitates manoeuvres in reverse by detecting obstacles

SAFETY

EMERGENCY STOP



By pressing a single button
the machine stops immediately

STEERING WHEEL CONTROLS



The steering wheel controls offer the operator even greater control when cleaning, and also improve safety, by eliminating distractions and letting the operator keep his or her eyes on the zone ahead of the machine

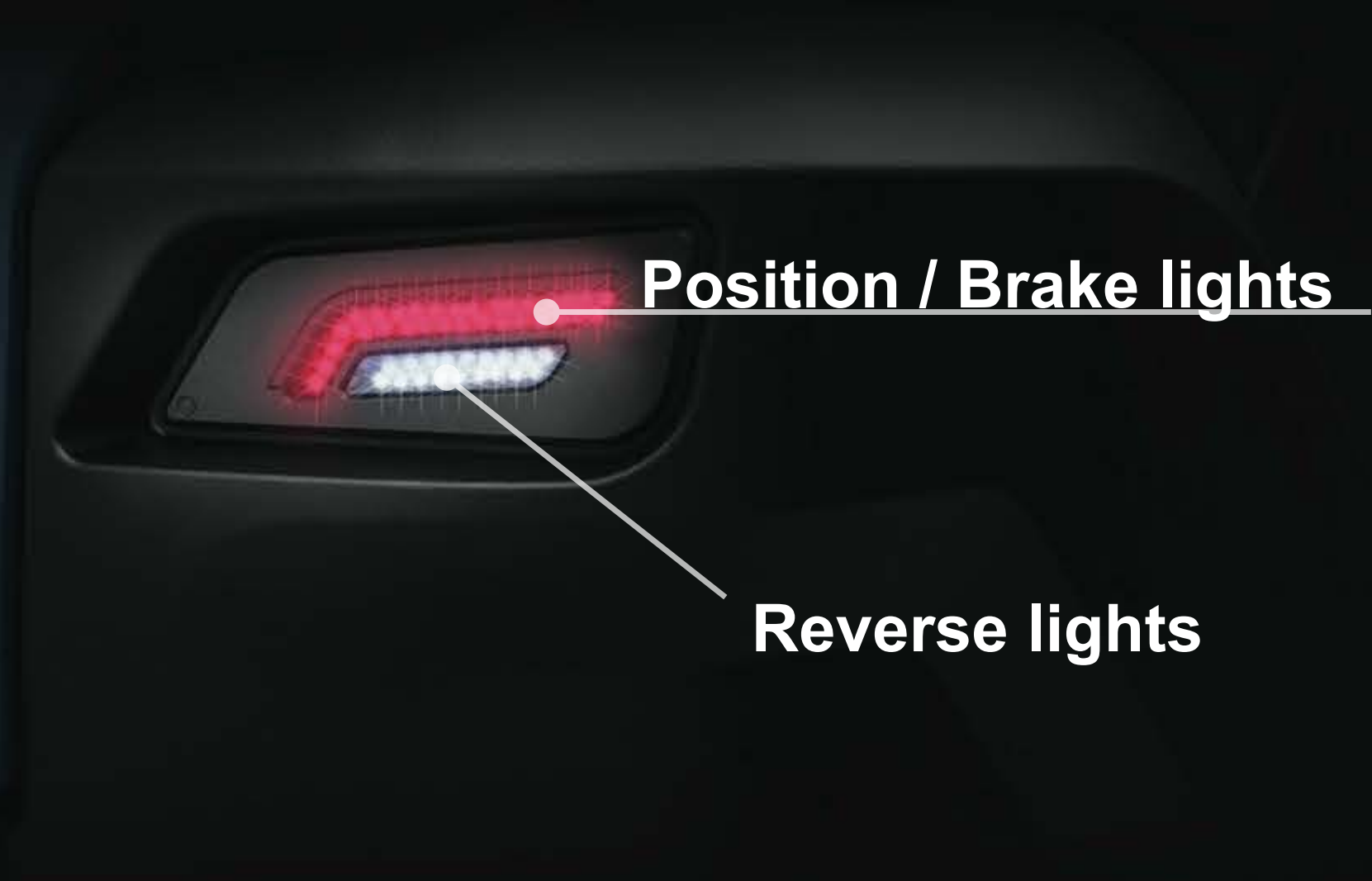
SAFETY

LED HEADLIGHTS



Front and rear LED headlights maximize work safety in all conditions

REAR HEADLIGHTS



Position / Brake lights

Reverse lights

FRONT HEADLIGHTS



Position lights

Driving lights

SAFETY

On the road to accident-free cleaning

ESC

ELECTRONIC STABILITY CONTROL



Automatically reduces speed
when steering without the
operator using the brake



SAFETY

DESCENT CONTROL



Maintains a constant speed when driving downhill, and prevents sudden increases in speed caused by gravity

STOP&GO



The traction control system, which brakes and holds the machine when the accelerator pedal is released, provides assistance for both uphill and downhill gradients

SAFETY

CRUISE CONTROL



Control device letting the operator set the required speed

VIDEO TUTORIAL / MANUALI DI UTILIZZO



Any questions? MMg has all the answers, with tutorials and operator manuals viewable on the display in 24 languages, to help the operator in every aspect of the job

MMg



TECHNOLOGY

TECHNOLOGY

Touchscreen
Display



TECHNOLOGY

Driving system with touchscreen display which transforms cleaning into a revolutionary experience



The operator is the centre of a high-tech universe, where everything is easy, intuitive and dynamic

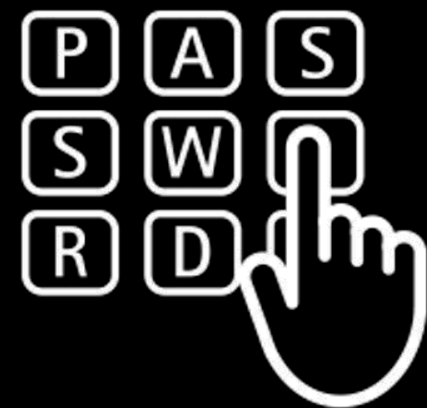
All functions and activities are managed from a single interface, where a mere touch of the finger offers access to an extraordinary choice of customisable features to satisfy all types of requirements with extreme simplicity.

The high definition colour display offers the same intuitive experience as a smartphone

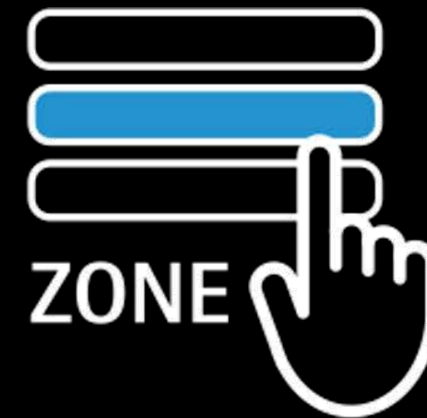
TECHNOLOGY



**TOUCH SCREEN
DISPLAY**



**LOG-IN
CON PASSWORD**



**PERSONALIZED
WORK ZONE
PROGRAMS**



**CRUISE
CONTROL**



**SUSTAINABLE
CLEANING**



**SEVERE
CLEANING**



**REAR VIEW
CAMERA**



**ANTI-COLLISION
SYSTEM**



**VIDEO
TUTORIALS**



**USER
MANUALS**



**24
LANGUAGES**

**LOG-IN
WITH PASSWORD**
To protect your
investment



TECHNOLOGY

**“ZONE”
PERSONALIZED
WORK ZONE PROGRAMS**
For all the
performance
you'll ever need



TECHNOLOGY

ECO MODE

To protect the
environment



TECHNOLOGY



TECHNOLOGY

POWER MODE
For maximum power
when you need it

TECHNOLOGY



**REAR VIEW
CAMERA**

**To keep everything
under control**

TECHNOLOGY

DIGITAL INSTRUCTIONS
Giving you all the information you need
exactly when you need it



CONNECTIVITY

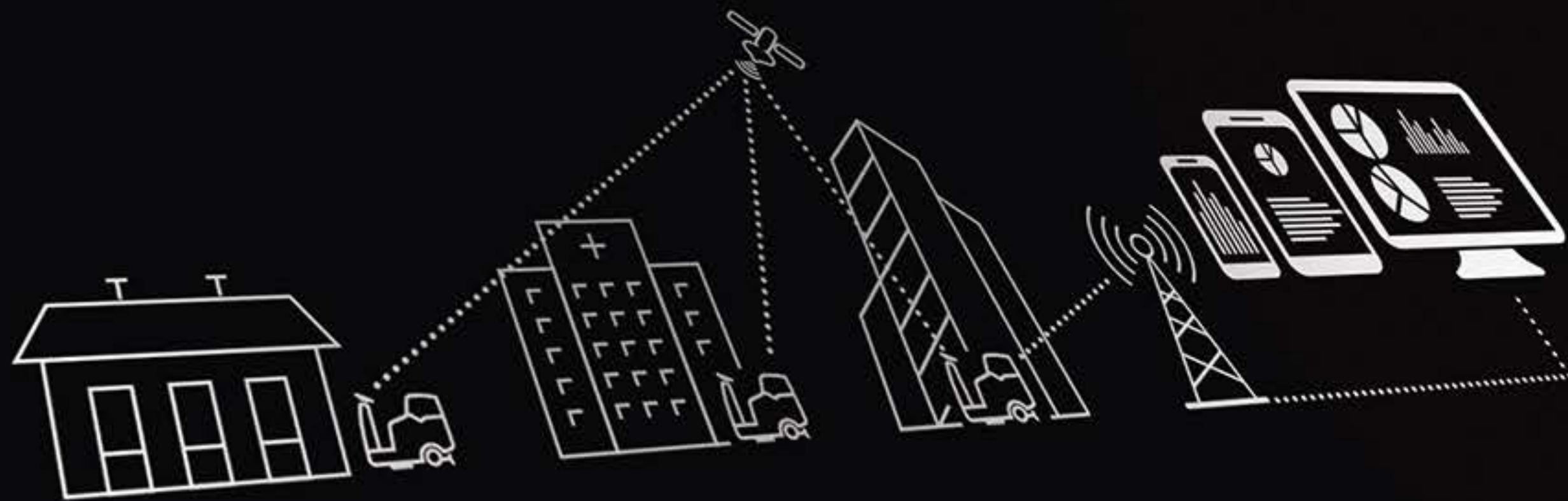


FIMAP FLEET MANAGEMENT





**Discover the FFM
universe and experience
the advantages
of being constantly
connected!**





FIMAP FLEET MANAGEMENT

Developing new technology to improve efficiency is one of the core missions of Fimap.

An example of this is FFM, the Fimap Fleet Management system which collects the data sent by the machine and transforms it into valuable information accessible to you easily on-line 24/7, from any computer, tablet or smartphone.

Being constantly connected to your machine will help you operate it even more efficiently and effectively. With one click you can know where the machine is, if the operation is being carried out according to plans and at the scheduled time.



FIMAP FLEET MANAGEMENT

The machine's health status is constantly monitored. In the very unlikely event of a breakdown, you'll be able to determine the type of issue online and in real time, and immediately take the necessary corrective action.

The telemetry service lets you monitor everything at all times for maximized efficiency.



Keep tabs on your machine remotely when you want and from wherever you want!



GEOLOCALISATION

**You'll always know
where your machine is**



USAGE INFORMATION

**You'll always know
who's using your
machine and how**



MAINTENANCE

**You'll always know
the state of health
of your machine**



TELEMETRY

**You'll always be able
to check if your
machine is working at
peak efficiency**

MMg



ENVIRONMENT



ENVIRONMENT

Fimap sustainable technologies contribute to protecting the environment and also encourage and help the user to use resources responsibly, offering many advantages.

Advanced technological solutions offer a reduction in cost per sq.m. cleaned, more working autonomy, time savings and better cleaning results, letting you cover more surface area with the same resources.



ENVIRONMENT



The Eco Mode function helps prevent water, detergent and energy consumption by using only the quantities you need and nothing more



START&STOP

When the machine is idle, the brush motor, the vacuum motor, the traction and detergent pump will turn off automatically, reducing costs and emissions.

All the functions are reactivated automatically as soon as the operator touches the accelerator again



ENVIRONMENT

WATER



FLR

FLR-FIMAP LONG RANGE

Reduces water and detergent consumption per cleaning operation by up to 66%*.

This is a system which recycles detergent solution to increase autonomy: to scrub more sq.m. while using less resources



FSS

FSS-FIMAP SOLUTION SAVER

Water and detergent quantities are separately dosed, reducing consumption by up to 50%



FWF

FWF-FIMAP WATER FLOW

Ensures uniform cleaning results across the entire working width on the first pass, optimising detergent solution consumption

* Saving calculated on a triple recycling cycle



ENVIRONMENT

ENERGY



FES-FIMAP ENERGY SAVER

Reduces energy consumption by up to 35%

LED TECHNOLOGY

Up to 80% lower energy consumption than conventional headlights.

The LED headlights consume much less energy than conventional headlights, offer a longer lifespan and illuminate with a brilliant white light similar to natural daylight



FNC-FIMAP NOISE CANCELING

Reduces sound pressure

NOISE LEVELS



MMg



VERSATILITY

VERSATILITY

A solution for any requirement



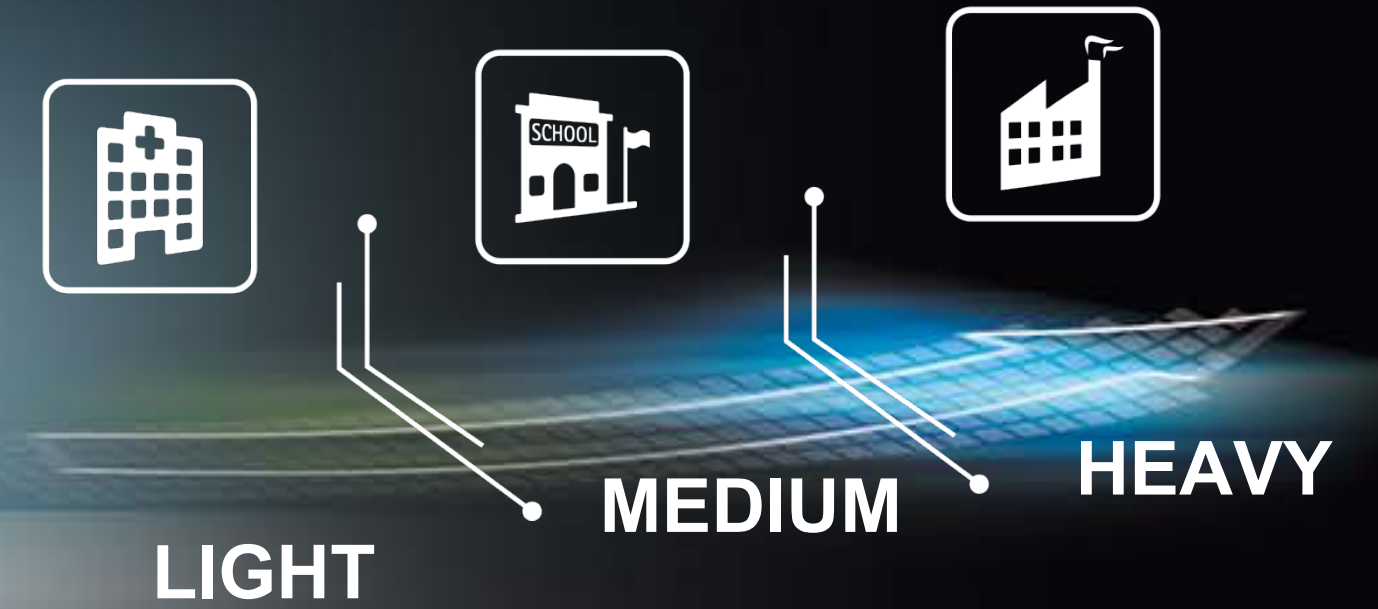
DISC
with 2 disc brushes
or 2 pad holders



CYLINDRICAL
with 2 cylindrical
brushes and a debris
hopper for small sized
solid debris



ORBITAL
With pad



AVAILABLE IN 2 VERSIONS

BASIC



PLUS

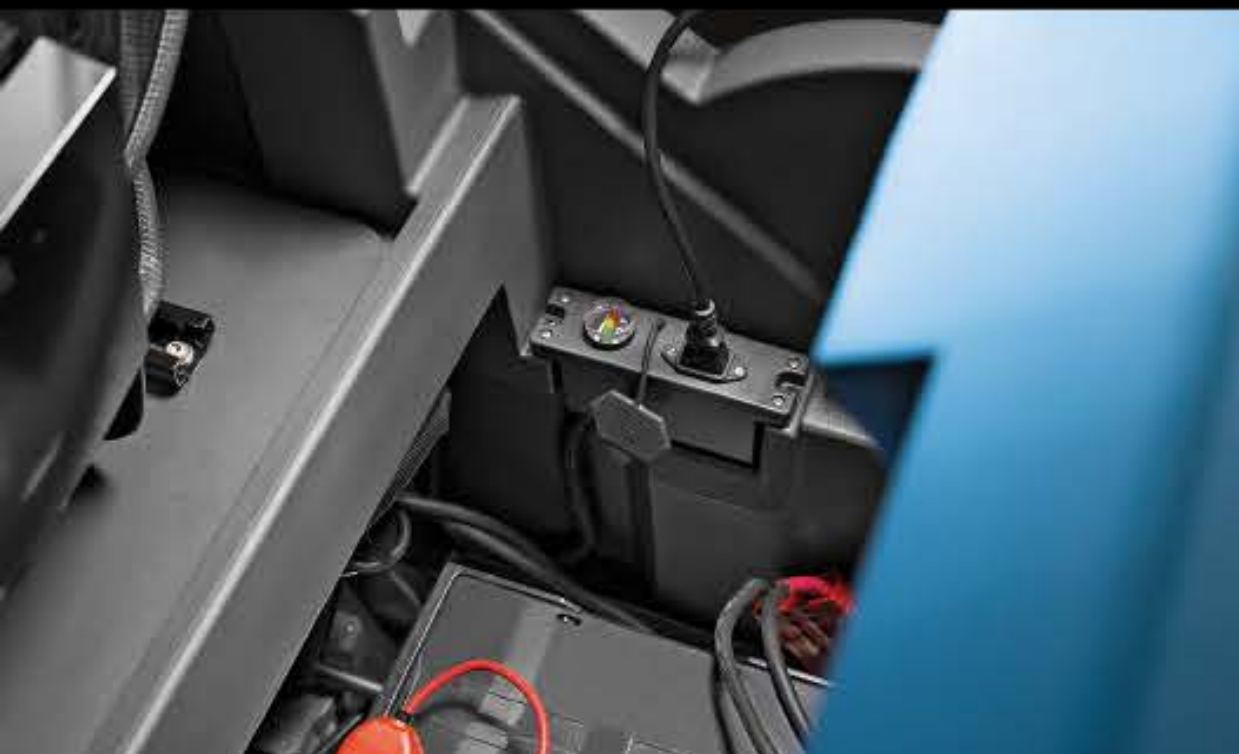


OPTIONALS



The exclusive lights pack offers increased visibility of the parts which could require operator inspection, illuminating the relative zones with LED lights

Front and rear LED headlights kit

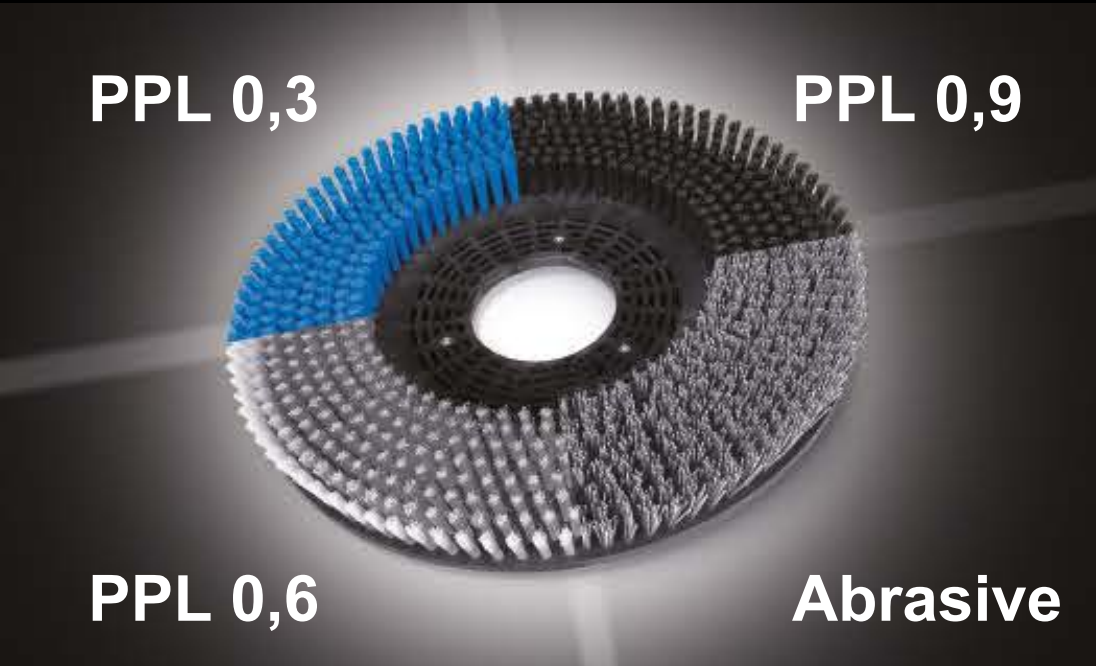


On-board battery charger for quicker, more convenient charging

The third lateral brush increases cleaning performance along walls (available for MMg disc versions)

Rear/front super elastic wheels kit, for minimal vibration and increased comfort

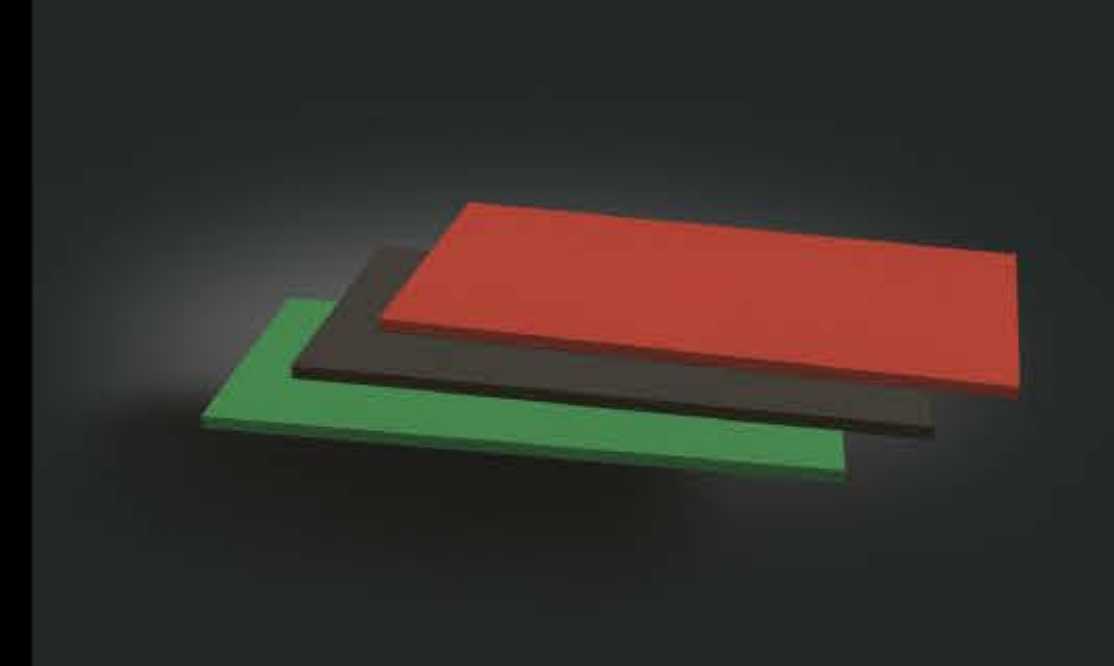
ACCESSORIES



A wide choice of disc or cylindrical brushes in PPL is offered, available in thicknesses from 0.3 to 0.9 cm. These offer the perfect solution for dealing with any type of dirt on any floor

Abrasive brushes:

Ideal for heavy duty cleaning on industrial surfaces



Pads

BLACK

Superior abrasiveness for rapid and thorough heavy duty cleaning

GREEN

Ideal for removing dirt from more delicate floors (rubber or linoleum)

RED

Ideal for scrubbing delicate or treated floors, and achieving an instant shine



Rear squeegee rubber blades

33 SHORE (PARA)

For maintenance cleaning of smooth floors

44 SHORE (PARA)

For stubborn dirt on floors with joints

POLYURETHANE

For heavy duty cleaning on industrial floors, even with wide gaps

OPTIONAL AND STANDARD EQUIPMENT

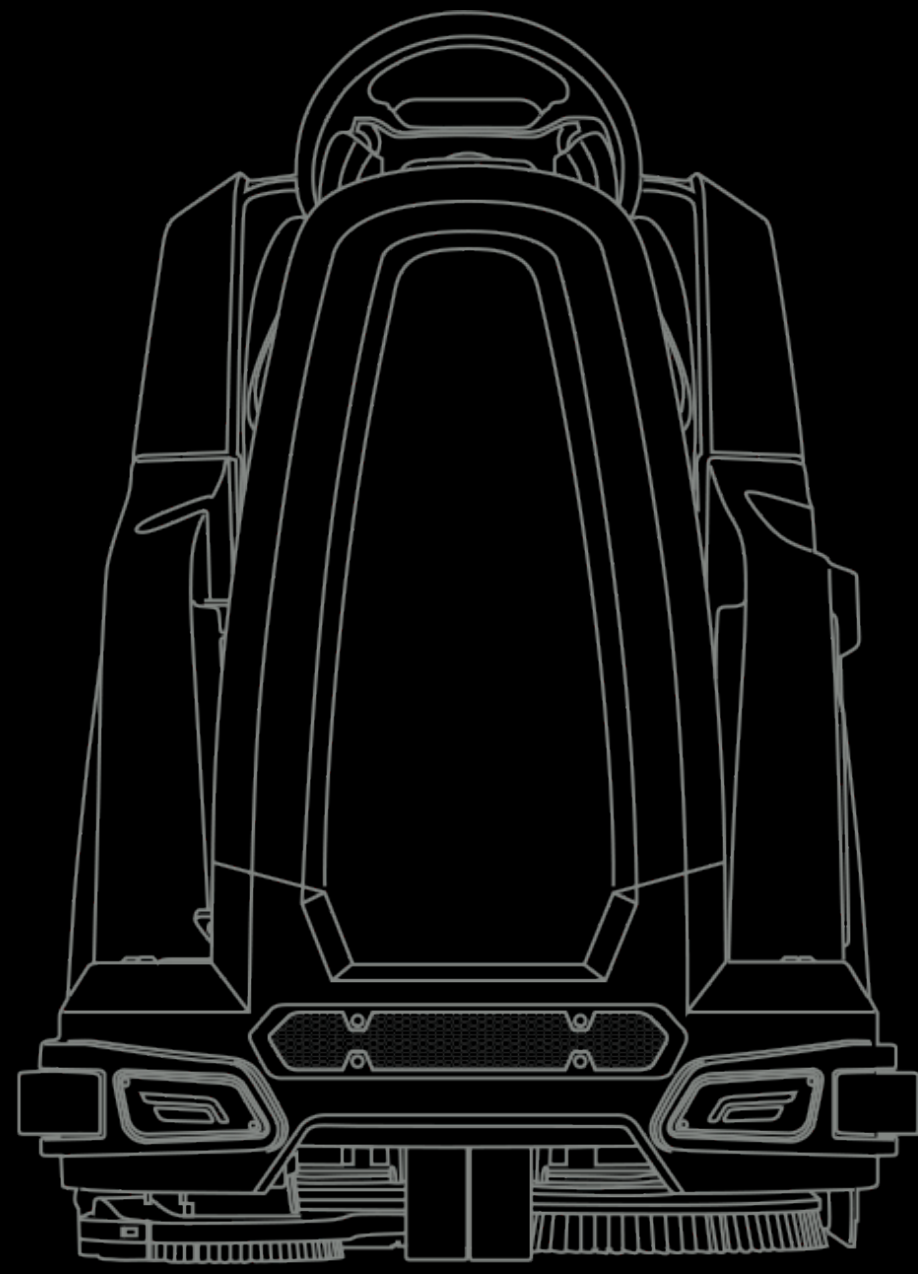
USER EXPERIENCE	MMg	MMg Plus	MMg Cylindrical	MMg Cylindrical Plus	MMg Orbital
iD-Intelligent Drive:	-	•	-	•	-
- 5 inch high resolution colour touch screen	-	•	-	•	-
- Log-in with password	-	•	-	•	-
- “ZONE“ program	-	•	-	•	-
- Cruise control	-	•	-	•	-
- Eco Mode	-	•	-	•	-
- Power Mode	-	•	-	•	-
- Rear view camera	-	•	-	•	-
- Anti-collision system	-	•	-	•	-
- Video tutorials	-	•	-	•	-
- User manuals	-	•	-	•	-
COMFORT					
Hour meter	•	•	•	•	•
Cleaning solution level indicator	•	•	•	•	•
Water and detergent empty tank lights	-	•	-	•	-
Battery charger	○	○	○	○	○
PRODUCTIVITY					
Pressure adjustment	-	•	-	•	-
Extra pressure	•	-	•	-	•
Right scrubbing brush	○	○	-	-	-
2 side sweeping brushes	-	-	○	○	-
3 stage vacuum motor	-	•	-	•	-
FFM (Fimap Fleet Management)	○	○	○	○	○

OPTIONAL AND STANDARD EQUIPMENT

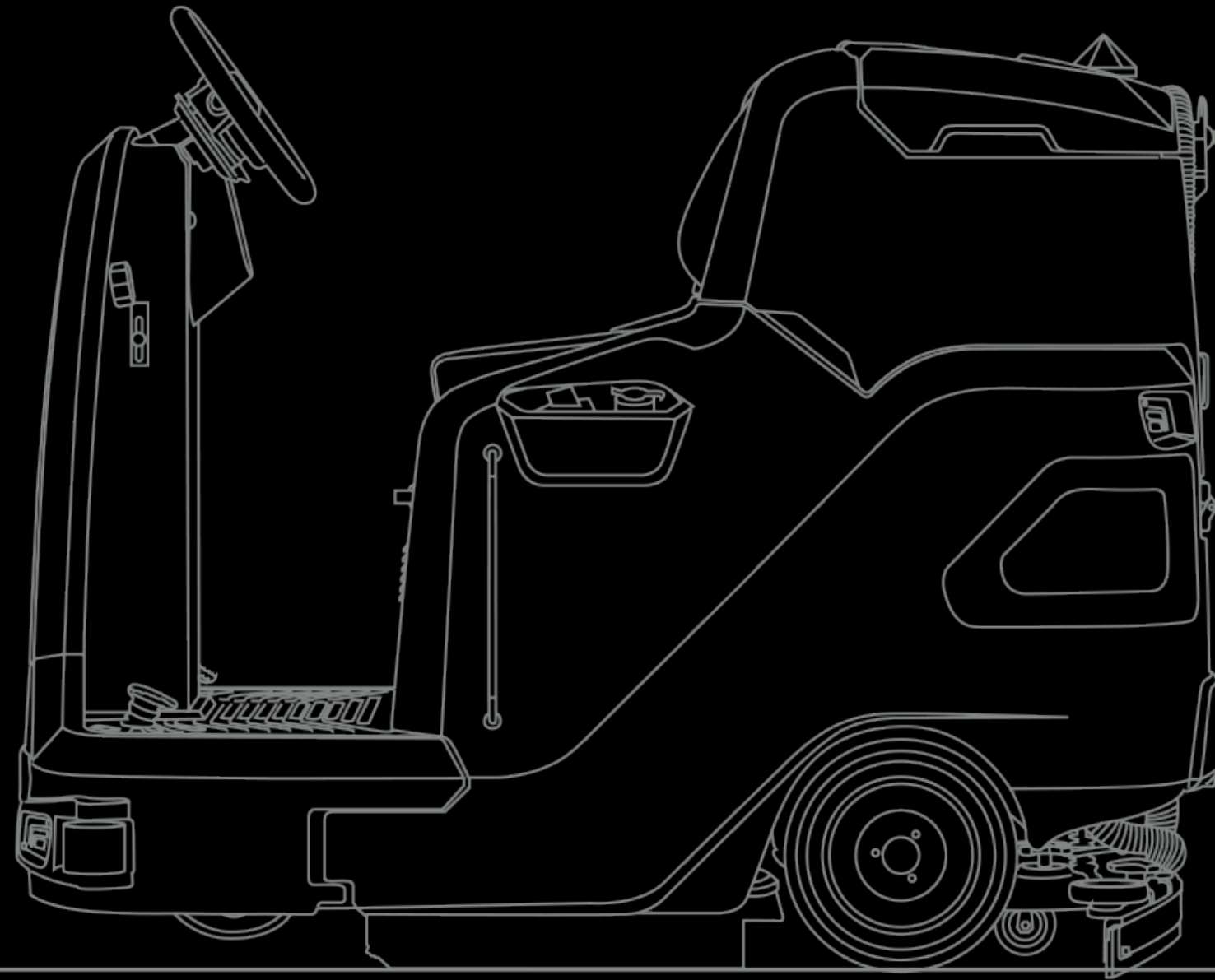
SAFETY	MMg	MMg Plus	MMg Cylindrical	MMg Cylindrical Plus	MMg Orbital
Blinking light	•	•	•	•	•
Driving LED light pack kit (front - rear)	○	-	○	-	○
Driving (front - rear) and service LED light pack kit	-	•	-	•	-
Super elastic wheels kit (front - rear)	○	○	•	•	○
Ramp up	•	•	•	•	•
Stop&Go	•	•	•	•	•
Descent control	•	•	•	•	•
ESC (Electronic Stability Control)	•	•	•	•	•
Emergency Stop	•	•	•	•	•
ENVIRONMENT					
FSS (Fimap Solution Saver)	-	○	-	-	-
FLR (Fimap Long Range)	○	-	○	-	○
FNC (Fimap Noise Canceling)	•	-	•	-	•
FES (Fimap Energy Saver)	•	•	•	•	•
FWF (Fimap Water Flow)	•	•	-	-	-
Start&Stop	•	•	•	•	•

• STANDARD ○ UPON REQUEST - NOT AVAILABLE

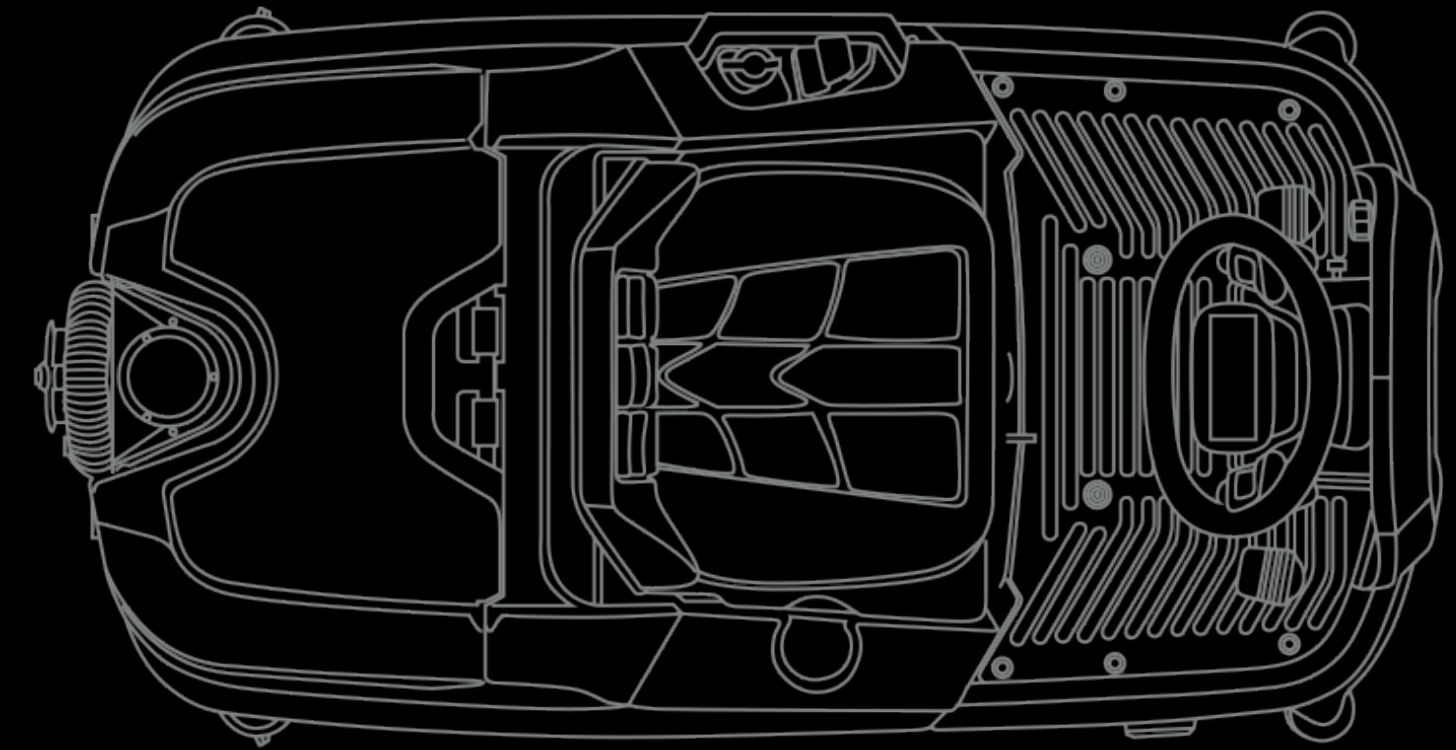
DIMENSIONS



1242 mm



1595 mm



881 mm

TECHNICAL DATA

TECHNICAL DATA		MMg/Plus	MMg Cylindrical/Plus	MMg Orbital
Working width	mm	750	650	750
Working width with side brushes	(no.) mm	(1) 850	(2) 1000	-
Squeegee width	mm	900	900	900
Disc brushes \emptyset	(no.) mm	(2) 385	-	-
Cylindrical brushes \emptyset	(no.) mm	-	(2) 180 x 656	-
Rectangular pad	mm	-	-	711 x 355
Oscillations per minute	no.	-	-	3000
Side brushes \emptyset	(no.) mm	(1) 260	(2) 330	-
Solution tank	l	110	110	110
Recovery tank	l	110	110	110
Supply/Traction	V	24/aut.	24/aut.	24/aut.
Acoustic level (ISO 11201)	dB (A)	62	62	62
Brush motors	(no.) V/W	(2) 720	(2) 600	(1) 600
Suction motor	V/W	24/410-24/560	24/410-24/560	24/410
Suction vacuum	mbar	120/150	120/150	120
Traction motor	V/W	24/600	24/600	24/600
Brush rpm (central / side)	rpm	140 / 150	550 / 65	-
Brush pressure	kg	35-100	30-60	30-70
Forward speed	km/h	0-8	0-8	0-8
Minimum aisle turn	mm	1950	1950	1950
Gradeability (Working / Transport at gross weight / Transport at net weight)	%	7 / 14 / 18	7 / 14 / 18	7 / 14 / 18
Batteries	(no.) V/Ah C5	(2) 12/150 - (4) 6/210	(2) 12/150 - (4) 6/210	(2) 12/150 - (4) 6/210
Batteries weight	kg	80-140	80-140	80-140
Working capacity	up to sqm/h	4500	5000	4500
Battery compartment dimensions (L x h x w)	mm	386 x 290 x 524	386 x 290 x 524	386 x 290 x 524

Ownership of the information and/or documents:

All information (by which we mean all data and information with the sole exception of that of common knowledge or which FIMAP has disclosed without reserve) and all documents (drawings, photos, etc.) are the exclusive property of FIMAP and their use does not mean there is any kind of acquisition of titles, property or exploitation of rights or licences except for the limited permission of use ruled by this document.

By way of example and, therefore, not limited to, such information and/or documents can be the following:

Marketing section:

high definition digital images for the implementation of commercial catalogues on paper or web sites, company trademarks, original graphical documents from which texts are taken (e.g. the descriptive notes), PDF documents and original documents in .ppt format.

Professional use of the data:

It is a known fact that the information and/or documents, subject of this commitment, are and will be used by the beneficiary exclusively for carrying out his professional business and, therefore, no specific laws regarding consumer protection are applicable.

Confidentiality:

The Party that benefits from the information or use of documents taken from or, in any case, part of the commercial documentation, shall use all such information and/or documents with maximum care solely for the purposes connected to execution of this contract with FIMAP and shall: keep such information and/or documents confidential except for those, due to their nature, which are to be disclosed (promo-advertising material etc.);

shall not divulge any information and/or document to its suppliers, collaborators or employees beyond what is strictly necessary so that they may fulfil their tasks concerning relations with FIMAP and shall ensure that the suppliers, collaborators and employees that have access to the information and/or documents are, in turn, bound by a confidentiality commitment to the benefit of FIMAP; shall not divulge any information to third parties without the prior written consent by FIMAP; copy and/or in any other way reproduce any information or document without the prior written consent of FIMAP; take all the necessary measures to protect confidentiality.

Returning Information and/or documents:

Whilst maintaining exclusive ownership at all times, FIMAP has the right, at any time, to ask in writing or by e-mail, that all the information and/or documents received be returned or no longer used and within the term of thirty days from receipt of this request, all the information and/or documents must be returned, including any copies, or destroy such information and/or documents and relative copies so as to prevent them from being recovered and FIMAP must be given a written declaration certifying that the information and/documents have all either been returned or destroyed.

This obligation to return, destroy or no longer use is set automatically in motion when the relationship is cancelled with FIMAP for any reason whatsoever.

Applicable law, cancelling clauses and Court having jurisdiction:

The interpretation, integration, execution and the effects of this commitment will be governed by Italian law.

If one or more points of this agreement are cancelled it does not invalidate the remaining points.

All disputes will be put to the exclusive jurisdiction of the Verona Courts.



 **FIMAP**[®]