

# Magna



The perfect combination of power and efficiency



# Magna





The design of Magna places the operator at the center, protecting him or her within a robust structure and ensuring that he or she is surrounded by a comfortable and functional space.

The size also conveys this model's power and solidity externally as well, as it has been created for the most demanding environments. The front of the machine, the elongated LED headlights, and the sleek shape lighten the bulk and emphasize the in-depth research that led to the development of this perfect combination of power and aesthetics.

Compartments designed for the extra accessories do not interfere with the original shapes either, rather they become part of the machine itself.

The technology on board improves the user experience and increases interaction, given that there are more functions and programs designed to reduce consumption, optimize cleaning times and lower cleaning costs.

# Magna

## Quality materials are at the heart of its robust core

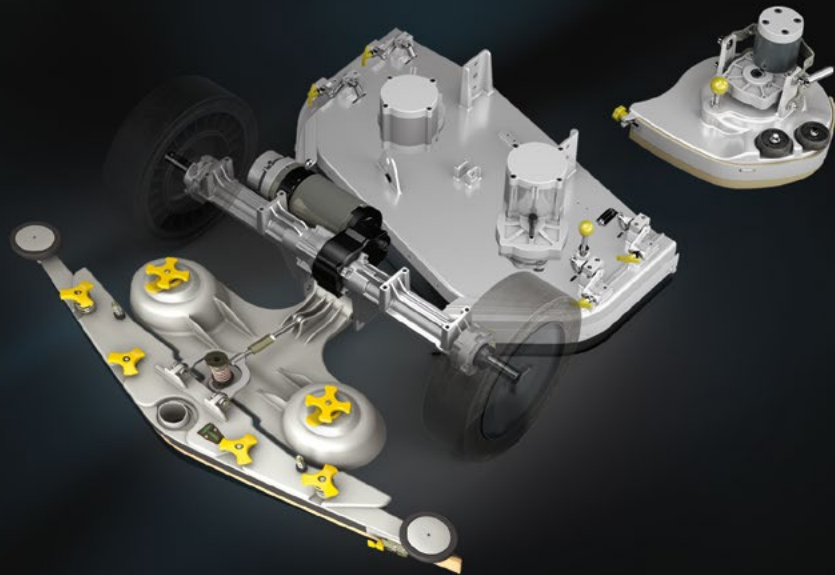
The aesthetically pleasing design highlights the robust construction, suitable for demanding applications in industrial environments

The polyethylene which composes the body of the machine offers high resistance to impact. It protects all of the internal parts of the machine in order to prevent possible damage during use





The aluminium of the chassis increases reliability over time



# Magna

## Comfort is essential for a job well done

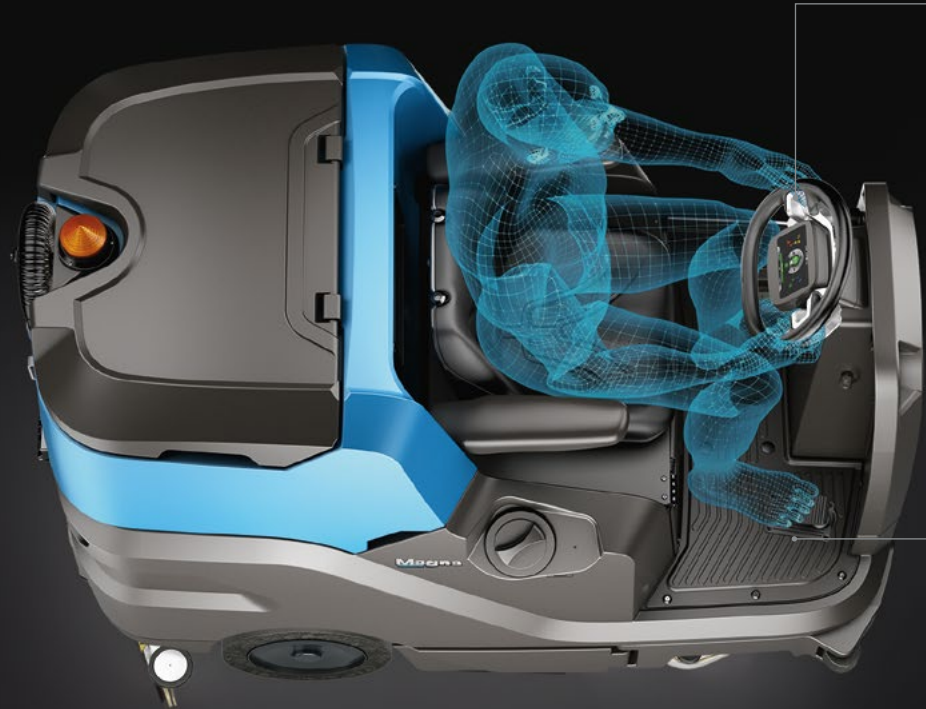
The driving position offers full visibility and is spacious and accessible from both sides.

It has a comfortable seat with arm rests, plenty of space for the legs, an ergonomic steering wheel and all of the controls concentrated on the touch screen display.

The operator is at ease knowing he has complete control over the machine and can manage all of the activities from a comfortable position, which includes enabling all of the necessary functions in a simple and intuitive manner.



Boasting FNC and Eco Mode technology, the Magna is extremely quiet, which benefits the health of the operator and of any people nearby



The lateral paddles help to ensure the operator is always facing the direction of travel, with no distractions



The lowered footboard facilitates access from both sides and allows the operator to sit easily without any effort

# Magna

Comfort is essential  
for a job well done



**NO TRAINING**

The integrated video tutorials demonstrate how to perform routine and extraordinary maintenance



## SERVICE LIGHTS



The exclusive lights pack offers increased visibility of the parts which could require operator inspection, illuminating the relative zones with LED lights



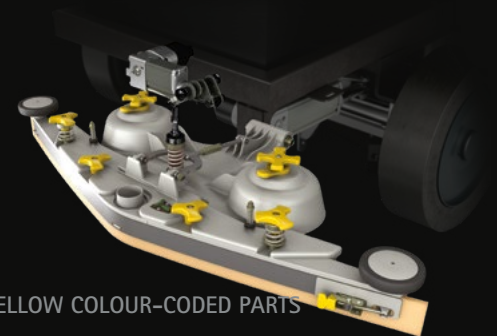
FFF – FIMAP FAST FILL

Automatic system for filling the fresh water tank, lets the operator perform other activities while the tank quickly fills up



SPRAY GUN

Facilitates quick and easy rinsing of the recovery tank at the end of the operation



YELLOW COLOUR-CODED PARTS

Parts which must be cleaned regularly at the end of every shift are colour coded in yellow for easy identification, saving time and making sure that your scrubbing machine is kept in perfect condition at all times

# Magna

Equipped to provide you with the best performance possible in any environment and under any conditions



## Dual 3-stage vacuum motor

Effective vacuum system which leaves the floor dry with no risk of slipping



## VACUUM WAND

Enables cleaning of areas that are difficult to reach with the machine after completing the operation every time

## BRUSHLESS MOTORS

For guaranteed reliability even in aggressive environments, with no maintenance required



FLR-FIMAP LONG RANGE  
Increases productivity by up to 70%



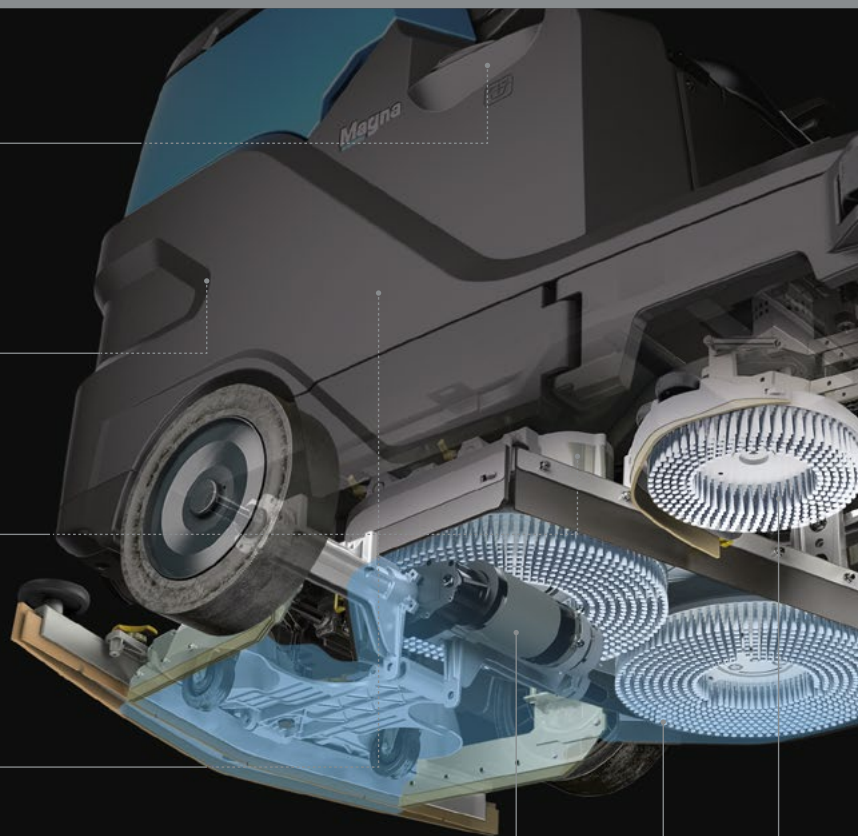
RAMP UP

## Astonishing performance in any situation

A special electronic control modulates power precisely, enabling the machine to climb ramps of up to 17%\* easily and smoothly, with no interruption or loss of power delivery.

## Adjustable pressure on the brushes

With a brush pressure which can be set to up to 150 Kg, the machine can tackle even the most stubborn dirt



\* Trailer ramp empty (in Basic version this value is guaranteed for a maximum time of 20 seconds)



### POWER MODE

When more scrubbing power is needed, activating Power Mode increases the delivery rate of detergent solution and boosts brush pressure and vacuum power for the time necessary to tackle heavy duty cleaning

### REAR VIEW CAMERA

Lets the operator monitor cleaning results in real time from the display, without taking his or her eyes off the direction of travel

### Light steering for even more operator comfort

The dual front wheel reduces the specific pressure exerted on the floor, making the steering action lighter. This solution also increases manoeuvrability and prevents marking, even on the most delicate floors

### A LATERAL BRUSH FOR EVEN MORE GREATER PRODUCTIVITY

The third brush moves laterally to facilitate cleaning along walls or shelves, increasing productivity by up to 15%



### Save time by working faster

Up to 6 Km/h in work mode and 9 Km/h in transfer mode

### Great autonomy

Work for up to 7 hours non-stop

### Sweeps, scrubs, dries and sanitizes in one step

In order to obtain a healthy environment, cleaning must be combined with a sanitizing process. Once the dirt, both light as dust and solid residues, and adherent, has been removed, the surfaces must undergo a treatment that reduces the presence of pathogens with the use of specific solutions

Today, most sanitization activities are carried out manually, even in large environments, at very high costs.

Mechanizing this operation is crucial to perform it with method and regularity. Combining sanitization with cleaning and carrying out the two actions at the same time provides extraordinary advantages in terms of time and cost.

Cleaning and sanitizing at the same time is now possible with a Disinfector scrubbing machine.

Magna scrubber dryer in Disinfector version enables the cleaning of floors and, at the same time, the sanitization of both floors and the surrounding vertical surface, in a single step.



This means a considerable reduction in costs, time and labour, which becomes even more significant in large space, where the cylindrical version of Magna Disinfector can be used, so as to achieve even 4 actions in one step:

1. SWEEPING
2. SCRUBBING
3. DRYING
4. SANITIZING

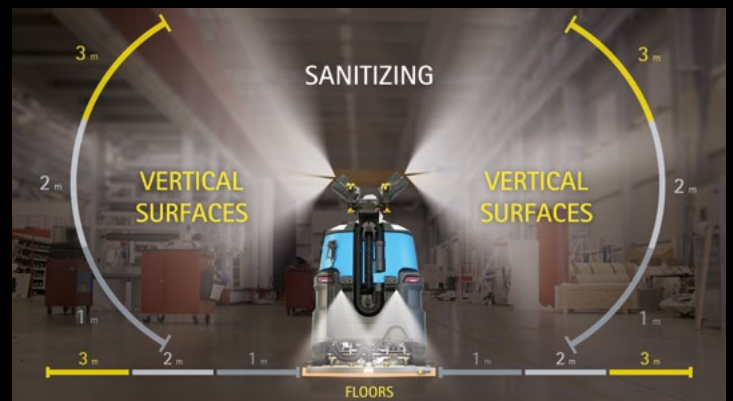
# THE ELECTROSTATIC TECHNOLOGY

The spraying action uses the electrostatic technology. The electrostatic charge causes the particles of the liquid to repel each other and thus to maintain a constant distance between them, which results in an even distribution. In addition, the charged particles are attracted by the surfaces on which they are directed, which guarantees a 360-degree coverage on each side of an object, without leaving out gaps.



## THE SOLUTION IS SPRAYED UP TO 3 METERS

While Magna carries out its usual cleaning activity, the sanitizing liquid is sprayed by groups of nozzles positioned above the tank, and then transported up to 3 metres in distance and height from the force of two turbines, and by another group of nozzles positioned at the rear base of the machine, intended only for the floor.



# Magna



## DIRECTIONAL NOZZLES

The spray can be directed according to the needs of the site, by rotating the turbines 180° from top to bottom and 180° from right to left.

## SANITIZING SPRAYER

The sprayer allows to sanitize the machine at the end of the shift, taking the solution from the designated tank. During the maintenance phase the operator can spray the sanitizing solution inside the tanks, in the area where the squeegee and the brush are located, on the contact surfaces such as the steering wheel, dashboard and driver's seat.



### SEPARATE NOZZLE OPERATION: ON THE RIGHT OR LEFT SIDE

You can choose to activate the spray only on one side or the other, according to the requirements of the specific environment you are sanitizing.



### SEPARATE NOZZLE OPERATION: UPPER AND LOWER

The upper and lower nozzles are also independent, allowing you to adapt the activity according to the structure of the environment and avoid wasting solution.

TECHNICAL DATA		Magna Disinfector
Sanitizing solution tank	l	18
Lower nozzles	(no.)	(2)
Upper nozzles	(no.)	(4)
Lower nozzles flow rate	l/min	0,245
Upper nozzles flow rate	l/min	0,465
Total flow rate	l/min	0,711
Operating time with lower nozzles	min	73
Operating time with upper nozzles	min	38
Total operating time	min	25
Machine dimensions (l x h x w) (min-max)	mm	1920 1660 1085
Drop size	µm	100

# Magna

Designed to be the safest machine  
in any situation

ACTIVE TECHNOLOGIES to prevent accidents



ANTI-COLLISION  
SYSTEM

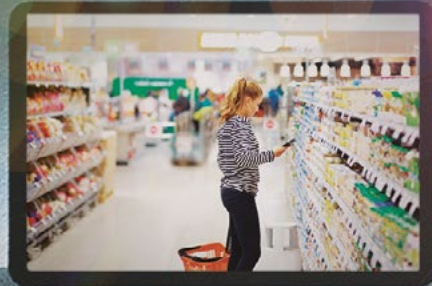
The anti-collision system  
detects obstacles  
when reversing





## Safety is paramount

The Magna is equipped with a host of safety systems and features to keep the operator in complete control at all times, working with total peace of mind



REAR VIEW  
CAMERA

Increases the safety of  
reverse manoeuvres

## Designed to be the safest machine in any situation

### ACTIVE TECHNOLOGIES to prevent accidents



TOUCH SCREEN  
DISPLAY

Enhances visibility in dim light



DESCENT  
CONTROL

Maintains a constant speed when driving downhill, and prevents sudden increases in speed caused by gravity



STEERING  
WHEEL  
CONTROLS

The steering wheel controls offer the operator even greater control when cleaning, and also improve safety by eliminating distractions and letting the operator keep his or her eyes on the zone ahead of the machine



STOP&GO

The traction control system, which brakes and holds the machine when the accelerator pedal is released, provides assistance for both uphill and downhill gradients



CRUISE  
CONTROL

Control device letting the operator set the required speed



ELECTROBRAKE

Is automatically operated when the machine stops. It works as a safety parking brake



ESC - ELECTRONIC  
STABILITY CONTROL

Automatically reduces speed when steering without the operator using the brake



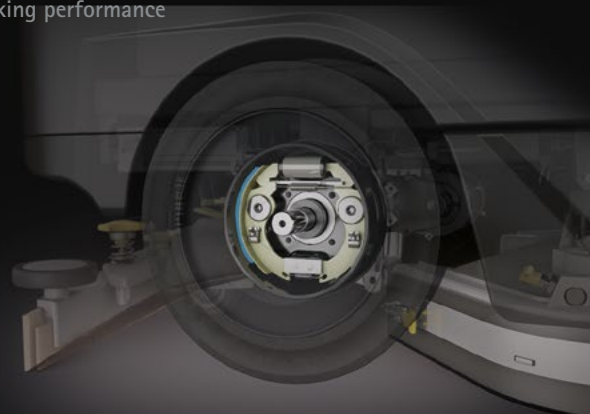
HYDRAULIC  
DRUM BRAKES

Self-adjusting, guaranteeing the best braking performance



OVERHEAD  
GUARD

To protect operators working in warehouses and logistics centers





LED HEADLIGHTS

Front and rear LED headlights maximize work safety in all conditions



VIDEO TUTORIALS

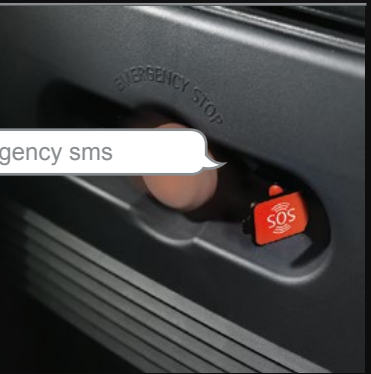
Any questions? Magna has all the answers: the video tutorials help the operator in every phase of the job



PASSIVE SYSTEMS to help the operator in case of emergency



Emergency sms



SOS DEVICE

Reduces time to service in case of emergency. The red button sends an sms alert to receive a prompt help, reducing downtimes



EMERGENCY STOP

By pressing a single button the machine stops immediately

# Magna

Driving system with touchscreen display which transforms cleaning into a revolutionary experience



Touchscreen Display

iD-intelligent Drive



TOUCH SCREEN  
DISPLAY



LOG-IN WITH  
PASSWORD



ZONE PROGRAMS



CRUISE  
CONTROL



SUSTAINABLE  
CLEANING



SEVERE  
CLEANING



REAR VIEW  
CAMERA



ANTI-COLLISION  
SYSTEM



VIDEO  
TUTORIALS



The operator is the center of a high-tech universe,  
where everything is easy, intuitive and dynamic

All functions and activities are managed from a single interface,  
where a mere touch of the finger offers access to an extraordinary  
choice of customizable features to satisfy all types of requirements with extreme simplicity.

The high definition colour display offers the same intuitive experience as a smartphone



**LOG-IN WITH PASSWORD**  
To protect your investment



**ZONE PROGRAMS**  
For all the performance you'll ever need



**ECO MODE**  
To protect the environment



**POWER MODE**  
For maximum power when you need it



**REAR VIEW CAMERA**  
To keep everything under control



**VIDEO TUTORIALS**  
For a more efficient, fast and easy  
operator training

# Magna

## EXPERIENCE CONNECTIVITY



FIMAP FLEET MANAGEMENT

My.Machine app updates you in real time providing all the essential information to help you keep high the fleet performance. You can see from your smartphone or tablet where your machines are, if they're carrying out the cleaning task or

if any anomaly occurred. You can see the list of the services performed, the charger logs and anomalies occurred, in order to have a complete overview of the health status of each machine.

# Discover FFM and experience the advantages of being constantly connected with the My.Machine app!



Watch the video

Keep tabs on your machines remotely when you want and from wherever you want!



My.Machine



## GEOLOCATION

It shows on a map the machine.



## USE INFORMATION

It's possible to know in what working mode the machine is operating and for how long. Moreover, it provides information about the duration of each intervention and the sq.m cleaned.



## HEALTH STATUS

Anytime is possible to monitor the health condition of both machines and batteries to have a clear view of the fleet availability and optimize its coordination.



## ENVIRONMENTAL IMPACT

All the data related to the CO<sub>2</sub> produced per intervention are available as well as the water and detergent consumption, in order to take action and improve the performance.



## ALARMS

The anomalies occurred are summarized in a list which includes a description of the type of issue, and the date and time of the event. It helps you to have an overview of the improper uses that need to be corrected.



## BATTERY RECHARGE

It sums up all the complete and opportune recharges performed, the residual charge and the charge settings. This is an essential set of information to extend the battery lifespan and reduce the related costs.



## SERVICES

An overview of the list of the maintenance services performed allows to identify discrepancies with the health condition of the machine in case an anomaly is detected, and to monitor the inspections of the whole fleet

## Sustainable solutions to protect the environment

Fimap sustainable technological solutions guarantee a reduction in cost per sq.m. cleaned, more working autonomy, time savings and better cleaning results, enabling you to cover more surface area with the same resources.



The Eco Mode function helps prevent water, detergent and energy consumption by using only the quantities you need and nothing more



START&STOP

When the machine is idle, the brush motor, the vacuum motor\*, the traction and the water flow will turn off automatically, reducing costs and emissions.

All the functions are reactivated automatically as soon as the operator touches the accelerator again

\* In basic versions suction turns off when the squeegee is lifted u





## WATER



### FLR-FIMAP LONG RANGE

Reduces water and detergent consumption per cleaning operation by up to 66%\*. This is a system which recycles detergent solution to increase autonomy: to scrub more sq.m. while using less resources



### FSS-FIMAP SOLUTION SAVER

Water and detergent quantities are separately dosed, reducing consumption by up to 50%



### FWF-FIMAP WATER FLOW

Ensures uniform cleaning results across the entire working width on the first pass, optimising detergent solution consumption

## DISINFECTOR

Reduced consumption of sanitizing solution, thanks to a more efficient distribution given by the electrostatic technology

## ENERGY



### FES-FIMAP ENERGY SAVER

Reduces energy consumption by up to 35%

#### LED TECHNOLOGY

Up to 80% lower energy consumption than conventional headlights. The LED headlights consume much less energy than conventional headlights, offer a longer lifespan and illuminate with a brilliant white light similar to natural daylight

\*Saving calculated on a triple recycling cycle

## NOISE LEVELS

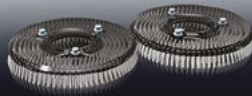
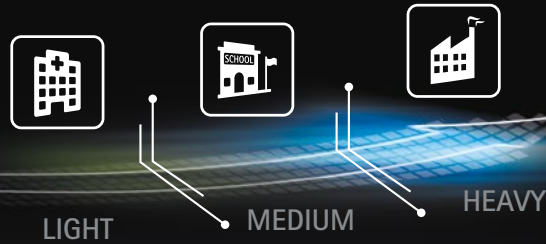


### FNC-FIMAP NOISE CANCELLING

Reduces sound pressure

# Magna

Choose the right version  
for your sector



DUAL DISC  
with 2 disc brushes  
or 2 pad holders



CYLINDRICAL  
with 2 cylindrical brushes and a debris  
hopper for small sized solid debris



Basic



**PLUS**

# Magna

Enhance it with the most suitable accessories for your specific requirement

## OPTIONALS



Vacuum wand



Spray gun



Seat with armrests and seat belt



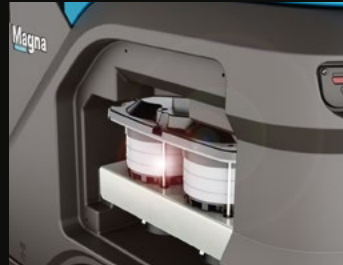
FFF-FIMAP FAST FILL



Side scrubbing brush  
(available for disc versions)



2 side sweeping brushes increase  
cleaning performance along walls  
(available for Cylindrical versions)



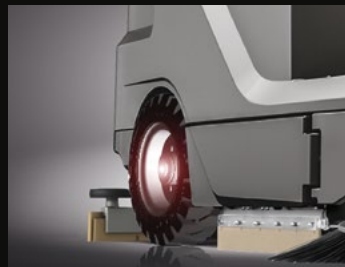
Dual 3-stage vacuum motor



FFM-FIMAP FLEET MANAGEMENT



Front and rear LED headlights



Rear/front super elastic wheels, for minimal  
vibration and increased comfort



Overhead guard and bumpers



FSS-FIMAP SOLUTION SAVER



FLR-FIMAP LONG RANGE



Disinfectant includes two groups of nozzles located above the tank for sanitizing vertical surfaces and a group at the base of the machine intended for the floor



Sanitizing sprayer to sanitize the machine at the end of the shift (only available with the Disinfectant)



Antibacterial tanks help inhibit the growth of bacteria and mold

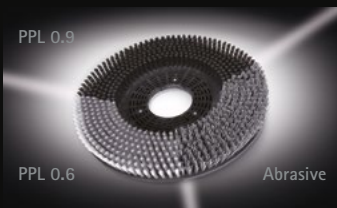


Recycled plastic tanks



AQUA<sup>®</sup>  
 AQUA<sup>®</sup> + DS (Detergent dosing system)  
 AQUA<sup>®</sup> + DS + Spray gun  
 AQUA<sup>®</sup> + Spray gun

## ACCESSORIES



A wide choice of disc or cylindrical brushes in PPL is offered 0.6 or 0.9 thick. These offer the perfect solution for dealing with any type of dirt on any floor

Abrasive brushes:  
 Ideal for heavy duty cleaning on industrial surfaces



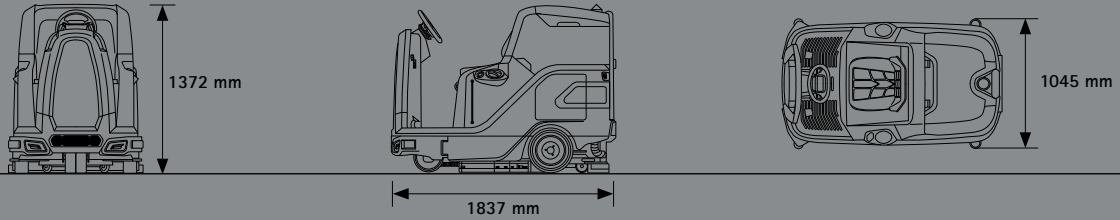
Rear squeegee rubber blades  
 33 SHORE (PARA): For maintenance cleaning of smooth floor  
 40 SHORE (PARA): For stubborn dirt on floors with joint  
 POLYURETHANE: For heavy duty cleaning on industrial floor, even with wide gaps

# OPTIONAL AND STANDARD EQUIPMENT

USER EXPERIENCE	DUAL DISC		CYLINDRICAL	
	Magna	Magna Plus	Magna Cylindrical	Magna Cylindrical Plus
<b>iD-Intelligent Drive:</b>	-	•	-	•
- 5 inch high resolution color touch screen	-	•	-	•
- Log-in with password	-	•	-	•
- Zone programs	-	•	-	•
- Cruise control	-	•	-	•
- Eco Mode	-	•	-	•
- Power Mode	-	•	-	•
- Rear view camera	-	•	-	•
- Anti-collision system	-	•	-	•
- Video tutorials	-	•	-	•
<b>COMFORT</b>				
Hour meter	•	•	•	•
Cleaning solution level indicator	•	•	•	•
Fresh water empty tank light	-	•	-	•
Vacuum wand	○	○	○	○
Spray gun***	○	○	○	○
Seat with armrests	○	•	○	•
FFF (Fimap Fast Fill)	○	○	○	○
Brush and squeegee actuator	-	•	-	•
Brush and squeegee manual lifting	•	-	•	-
Sanitizing sprayer for Disinfectant	○	○	○	○
<b>PRODUCTIVITY</b>				
Water flow selector	•	•	•	•
Triple pressure selector	-	•	-	•
Extra pressure	•	-	•	-
Vacuum speed selector	-	•	-	•
Right-hand side scrubbing brush	○	○	-	-
2 sweeping side brushes	-	-	○	○
3 stage vacuum motor	•	•	•	•
2 3-stage vacuum motors	○	○	○	○
FFM (Fimap Fleet Management) with SOS device	○	○	○	○
Squeegee and squeegee support in aluminum	•	•	•	•
Side splash guards	•	•	-	-
Batteries with automatic refilling system	○	○	○	○
Disinfectant	○	○	○	○
<b>SAFETY</b>				
Blinking light	•	•	•	•
Driving LED headlights (front-rear)	○	-	○	-
Driving (front-rear) and service LED lights	-	•	-	•
Super elastic wheels (front-rear)	○	○	○	○
Ramp up	•	•	•	•
Stop&Go	•	•	•	•
Descent control	•	•	•	•
ESC (Electronic Stability Control)	•	•	•	•
Emergency Stop	•	•	•	•
Overhead guard	○	○	○	○
Front bumper	○	○	○	○
Driver seat with armrest and safety belt	○	•	○	•
Antibacterial tanks	○	○	○	○
<b>ENVIRONMENT</b>				
AQUA <sup>®</sup>	-	○	-	-
AQUA <sup>®</sup> + DS (DETERGENT DOSING SYSTEM)	-	○	-	-
AQUA <sup>®</sup> + SPRAY GUN	-	○	-	-
AQUA <sup>®</sup> + DS + SPRAY GUN	-	○	-	-
Recycled plastic tanks	○	○	○	○
FSS (Fimap Solution Saver)	○	○	○	○
FLR (Fimap Long Range)	○	○	○	○
FNC (Fimap Noise Canceling)	•	-	•	-
FES (Fimap Energy Saver)	•	•	•	•
FWF (Fimap Water Flow)	•	•	-	-
Start&Stop	•	•	•	•

• STANDARD	○ UPON REQUEST	- NOT AVAILABLE
------------	----------------	-----------------

# DIMENSIONS AND TECHNICAL DATA



TECHNICAL DATA - Magna		DUAL DISC		CYLINDRICAL	
		Magna	Magna Plus	Magna Cylindrical	Magna Cylindrical Plus
Productivity theoretical	up to sqm/h	9450		10980	
Estimated coverage	up to sqm/h	6300		7320	
<b>SCRUBBING SYSTEM</b>					
Working width	mm	1000		825	
Working width with side brushes	(no.) mm	(1) 1050		(2) 1220	
Brush motors	(no.) V/W	(2) 36/750			
Brush rpm (central / side)	rpm	180/140		550/75	
Brush pressure (min - max)	kg	45÷150		35÷45	
<b>TANK AND RECOVERY SYSTEM</b>					
Solution tank	l	190			
Recovery tank	l	195			
Suction motor	V/W	36/650			
Vacuum water lift	mbar	129			
Detergent tank capacity (FSS)	l	18			
Maximum volume of the debris hopper	l	-		16	
<b>BATTERY SYSTEM</b>					
Supply/traction	V	36/aut.			
Batteries	(no.) V/Ah C5	(1) 36/360 WET			
Battery run time*	up to h	7	5	5,5	5
<b>PROPELLING SYSTEM</b>					
Forward working speed	km/h	6			
Transport speed	km/h	9			
Gradeability (Working / Transport at gross weight / Trailer ramp empty)	%	8 / 8 / 17			
Traction motor	V/W	36/1000 DC	36/850 AC	36/1000 DC	36/850 AC
<b>SPECIFICATIONS</b>					
Machine dimensions (L x h x w)	mm	1837 1372 1085			
Height with overhead guard	mm	1949			
Squeegee width	mm	1045			
Machine weight empty without batteries	kg	421			
Machine weight empty with batteries	kg	837			
GVW (Gross Vehicle Weight)	kg	1205		1224	
Sound level (ISO 11201)	dB (A)	69		70	
Sound level (ISO 11201) - Eco Mode	dB (A)	-	66	-	66
Minimum aisle turn	mm	2450			

\*Run times are based on continuous scrubbing run times

# SERVICES

## CONSULTING AND PLANNING



We put our experience at your service, to help you realize the cleaning project perfect you. We suggest you the best solutions to make costs decrease and service quality increase.

## SETUP



We can help you set up your machines in order to make them meet specifically the requirements of the sites of your project, allowing you to always have control over costs and results.

## AUTHORIZED WORKSHOP NETWORK



Fimap Authorized Workshop network spans the globe, so you can enjoy the peace of mind of finding a professional support wherever your business is.

## CONFIGURATION



Your business is unique, only a customized fleet can lead you to better results. We will help you find the configurations that best fit the specific requirements of your cleaning sites, in order to optimize processes and lower costs.

## TRAINING COURSES



Fimap Academy offers courses for all levels, from the correct use of machines and technologies, up to the management of sites and tenders, helping you to make your service really competitive.

## MAINTENANCE AND REPAIR



For your business to run smoothly it is essential that your machines are kept always operational. Our technicians take care of monitoring the machines health status and know how to intervene quickly and effectively when needed.

## FINANCIAL SOLUTIONS



You can choose to use the fleet in different ways. We can advise you on the best financial solution for your business, so that you can get the quality of the Fimap world at the most convenient conditions for you.

## DIGITAL FLEET MANAGEMENT SYSTEM



With Fimap Fleet Management everything is under your control. You can have a complete overview of the service provided and find out the improvements that can be made, basing your considerations on real data, always available via the MyMachine app or FFM website.

## GENUINE SPARE PARTS



Get the most out of your machines, choose the reliability of Fimap original spare parts. They are designed together with the machines, so they perfectly fit them thus guaranteeing the highest quality of performance.

## CERTIFICATIONS



For any additional information or for a demo please contact your usual Fimap dealer



FIMAP spa - Via Invalidi del Lavoro, 1 - 37059 S. Maria di Zevio - Verona - Italy - Tel. +39 045 6060411 - E-mail: [contact@fimap.com](mailto:contact@fimap.com)

