

MR



Higher performance, with improved efficiency,
made more affordable

 **FIMAP**[®]

MR

Higher performance!

Improved performance compared to the previous model

The new MR dashboard is designed to provide ease of use, ergonomics and safety. All controls are grouped around the steering wheel and can therefore be activated with minimal movement, avoiding distractions.

The flow of the cleaning solution and the pressure on the brushes can be adjusted at any time according to requirements. The controls are located under the steering wheel and can be reached with a slight movement of the hand.

Just to the left is the paddle for activating the preset programs. For easier management, MR offers three cleaning programs, each with different parameters, enabling immediate and straightforward start-up by simply activating the mode that best suits the type of cleaning to be performed.



SUSTAINABLE CLEANING

1. ECO MODE

For light maintenance cleaning, where you can use less resources and work with a low noise level



FAST CLEANING

2. DYNAMIC MODE

For routine cleaning where greater productivity is required, it allows tasks to be done quickly



INCREASED CLEANING POWER

3. POWER MODE

To achieve maximum power when dirt is particularly stubborn

THE ESSENTIALS THAT PUT PERFORMANCE FIRST

The design focused on what really matters: delivering cleaning power that boosts productivity, as it is effective on the first pass, without wasting time. The three-level adjustable pressure lets you tackle any dirt condition successfully.



RAMP UP

can climb trailer ramps
with slopes up to **20%***



Adjustable brush pressure up to **60kg**

Brush rpm **240**



FLR-FIMAP LONG RANGE

Productivity is increased by up to 70%

The brush revolutions of the new MR are significantly higher than those of the previous model.

This means an increase in:

- cleaning quality
- working speed and productivity



RUN TIME



Up to **4 hours****
With 4 batteries of 6V



Up to **2 hours****
With 2 batteries of 12V

* Trailer ramp empty

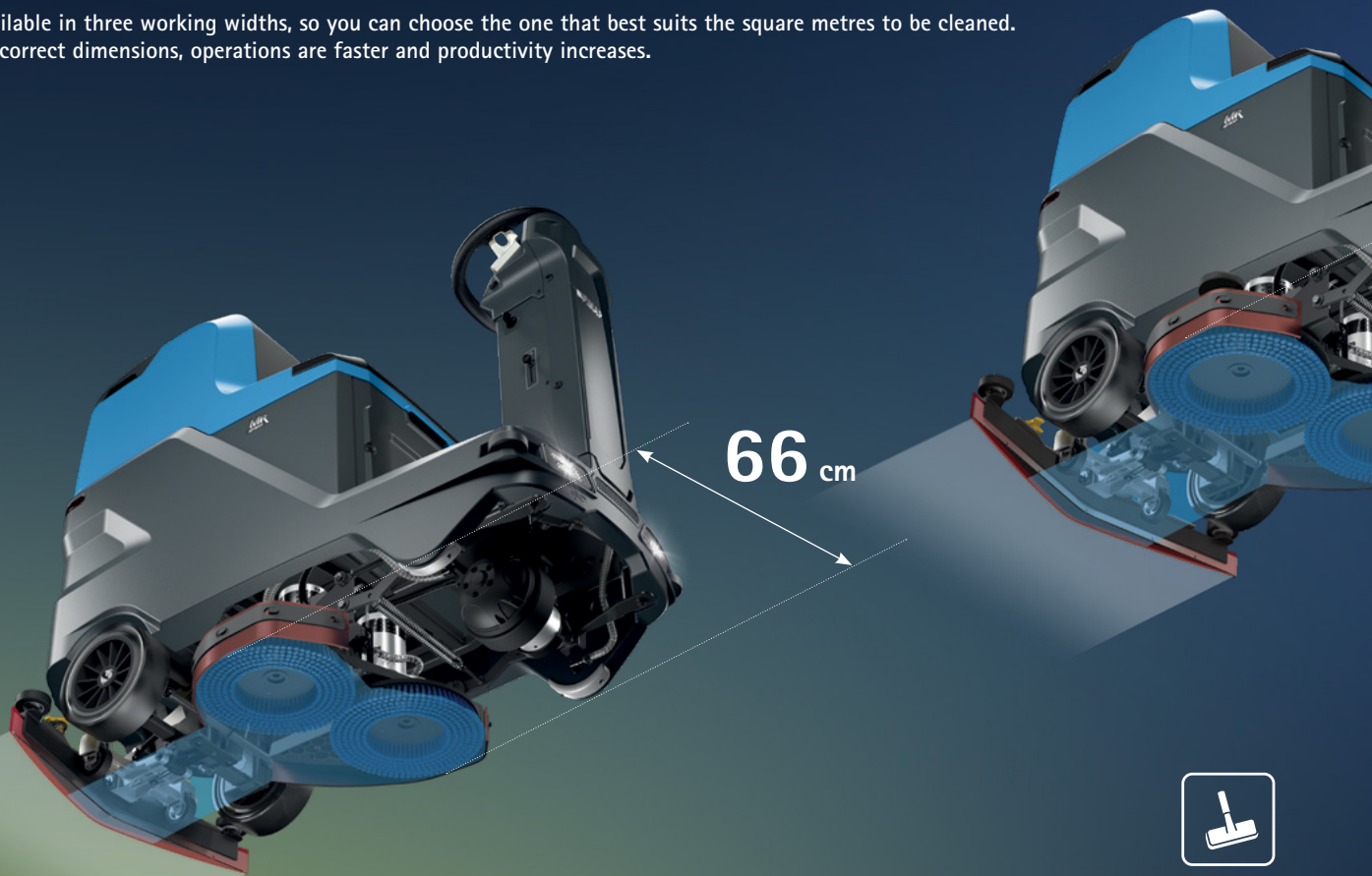
** In Eco Mode

MR

Higher performance!

Optimise cleaning tasks by choosing the working width that best suits your environments

MR is available in three working widths, so you can choose the one that best suits the square metres to be cleaned. With the correct dimensions, operations are faster and productivity increases.



66 cm



VACUUM WAND

Equipped with a powerful 3-stage vacuum motor, the wand enables the collection of dirt deposited in areas difficult to be reached with the machine. In cases of stubborn dirt, it can be dampened with the spray gun.



76 cm

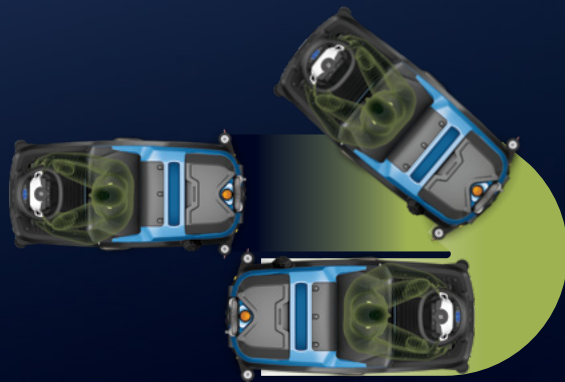
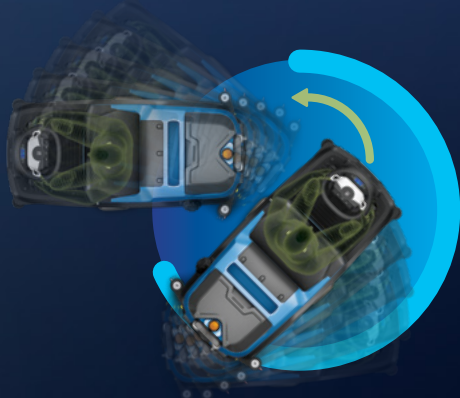
86 cm

A NEW DESIGN THAT IMPROVES DRYING



The side splash guards keep water within the working area and direct it towards the suction zone for more effective collection. The squeegee features a new plastic design that improves drying performance. Its lateral movement keeps it always aligned with the machine, ensuring consistent performance even on bends.

MINIMUM AISLE TURN **1800** mm



MR

Improved efficiency!

Proper resource management enables you to work longer while reducing consumption. Responsible use, which maximises resources, ensures greater working autonomy and fewer interruptions.

Fimap's sustainable technologies make the most of available resources, reduce consumption and minimise the environmental impact of cleaning.



The Eco Mode device helps you to not use more resources than necessary.

When just a maintenance cleaning is required and dirt is light, you can clean using reduced amounts of water, chemical and energy.

By avoiding waste, you can clean more sq.m with less resources



START&STOP

When the machine is idle, the brush motor, the vacuum motor, the traction and the water flow will turn off automatically, reducing costs and emissions.

All the functions are reactivated automatically as soon as the operator touches the accelerator again.

WATER



FSS-FIMAP SOLUTION SAVER
The amount of water and chemical are dosed separately

It reduces water and chemical use by up to **50%**



FLR-FIMAP LONG RANGE
System that recycles the cleaning solution, increasing the working autonomy

It reduces water and chemical use by up to **66%***



FWF-FIMAP WATER FLOW
Ensures uniform cleaning results across the entire working width on the first pass, optimising detergent solution consumption



CHEMICAL-FREE CLEANING SOLUTION
Technology that transforms tap water into a sanitising solution by activating the chlorine molecules it naturally contains, to clean without the addition of detergents.

ENERGY



FES-FIMAP ENERGY SAVER
Through careful design, favouring efficient components and ensuring the correct sizing of motors, we have increased efficiency and autonomy while reducing consumption.

It reduces energy consumption by up to **35%**

* Per cleaning operation. Saving calculated on a triple recycling cycle

MR

More affordable!



We have drawn on all our experience to create a model that is cost-effective because it focuses only on what is important,
ELIMINATING WHAT IS UNNECESSARY.

MR IS A SCRUBBER DRYER OFFERING SOLID PERFORMANCE, RELIABILITY AND SIMPLICITY.



one TASK

it cleans up to **15.000** sq.m
on

a single charge of **ENERGY** 
and a single tank of **WATER** 

In Eco Mode with 4 batteries of 6V

IT OPTIMISES CLEANING TASKS AND REDUCES OPERATING COSTS

FEWER PIT STOPS, PRODUCTIVITY IS INCREASED BY UP TO 25%

Increases operator efficiency by reducing downtime during use

WATER SAVINGS OF UP TO 50%

Uses less water whilst maintaining high cleaning performance

DISPOSAL COSTS HALVED

Reduces the amount of collected water that needs to be treated and disposed of

GREATER ENERGY EFFICIENCY

Reduces energy consumption thus improving energy efficiency

MR

Increased comfort!

A design that puts the operator at the centre, offering full accessibility and intuitive use, which reduces downtime, makes operations simpler and faster, and increases productivity.



FSS DETERGENT TANK

Designed for easy access, which simplifies refilling.

ACCESSORIES ALWAYS IN ORDER

The accessories are always within reach, stored in special compartments designed to not interfere with the design of the machine and to respect its dimensions.



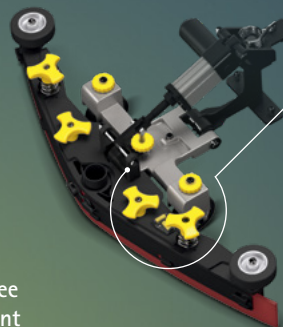
YELLOW COLOR-CODED PARTS

At the end of the cleaning operation, the yellow colour reminds the operator of the parts to be cleaned immediately, to maintain constant performance over time.



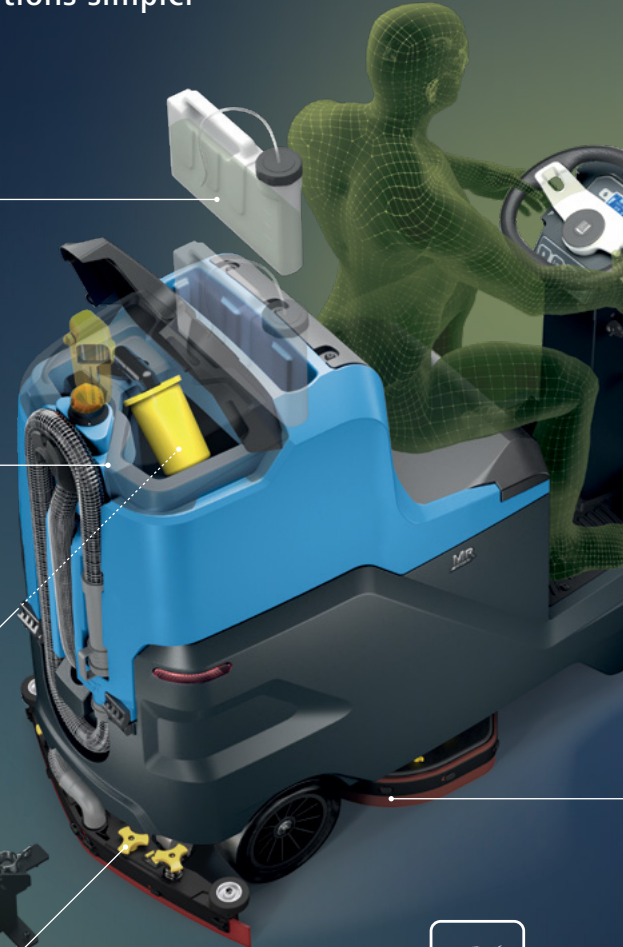
BREAK AWAY

When accidentally impacted, the squeegee is uncoupled to prevent dangerous situations



SPRAY GUN

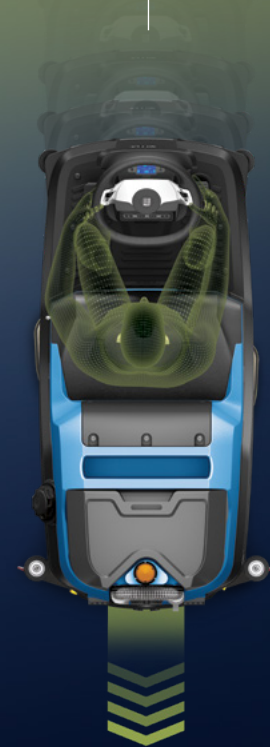
It facilitates maintenance at the end of the operation, and is useful for rinsing the tanks when there is no faucet nearby.





The controls grouped together on the dashboard around the steering wheel help the operator to stay focused on the work area. The functions can be activated more safely because they can all be reached without distractions and without completely taking the hands off the steering wheel.

The paddle on the left starts the work programs, the one on the right engages the reverse gear, while the manual scrubbing functions are located at the bottom centre. The small display at the top shows the changes and active functions.



FULLY AUTOMATIC

The brush head and squeegee are moved automatically, without mechanical levers and therefore without effort.



The low footboard makes it easy to climb on and off from both sides and enhances the feeling of comfort when driving without any effort.



All the help possible for safe operations

Safety systems ensure that everything is always under control, allowing users to work with complete peace of mind.

ACTIVE TECHNOLOGIES to prevent accidents



Simple and durable, they guarantee good braking performance.

MECHANICAL DRUM BRAKES



It is automatically operated when pressure on the accelerator is released. It works as a safety parking brake.

ELECTROBRAKE



The traction control system, which brakes and holds the machine when the accelerator pedal is released, provides assistance for both uphill and downhill gradients.

STOP&GO



Automatically reduces speed when steering without the operator using the brake.

ESC - ELECTRONIC STABILITY CONTROL



Maintains a constant speed when driving downhill and prevents sudden increases in speed caused by gravity.

DESCENT CONTROL



Enables the machine to climb ramps easily and smoothly, with no interruption or loss of power delivery

RAMP UP





Increases active safety by providing a visual signal of the machine's presence and movement

BLINKING LIGHT



Controls are on the dashboard, arranged around the steering wheel to improve interaction and safety. Activating them requires minimal hand movement, without having to take hands off the wheel or eyes off the road.

DRIVING PADDLES

Position lights
Reverse lights



Front and rear LED lights maximize work safety in all conditions

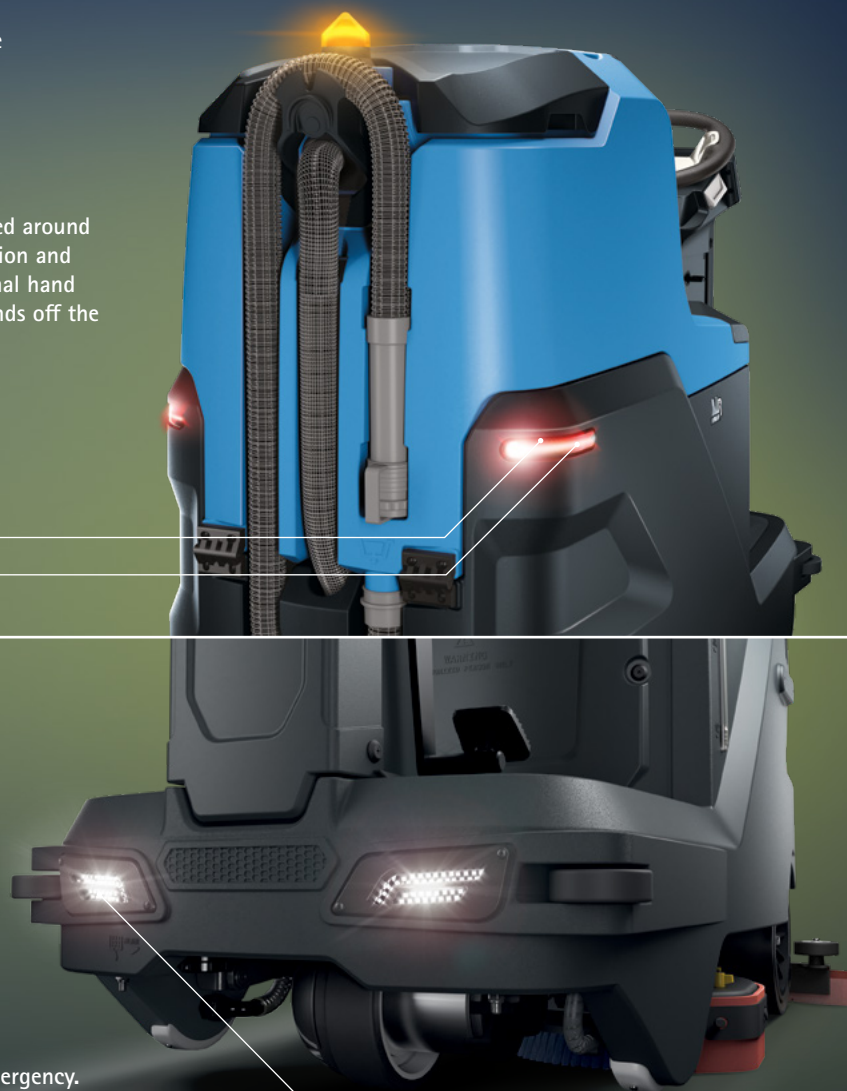
LED LIGHTS

PASSIVE SYSTEMS to help the operator in case of emergency



Reduces time to service in case of emergency. The red button sends an sms alert to receive a prompt help, reducing downtimes (Only for WI-FI & GSM versions)

SOS DEVICE



Driving and position lights



Connect to your fleet, increase productivity with the Fimap FFM app



FIMAP FLEET MANAGEMENT

Track the performance of your fleet easily from your smartphone, with the Fimap FFM app. Enter the profile of each machine to see where it is, whether the planned cleaning schedule is being followed, and whether anything unexpected has occurred. You can check the list of maintenance tasks carried out, the recharges made and any issues that have arisen, to always be in full control of the situation and keep productivity high.



MISSION CONTROL PART PROGRAM

The supervisor can set a weekly cleaning schedule and send it to the machine. This enables the operator to follow the set schedule, ensuring the desired cleaning standards are maintained, and keeping costs low.



INDOOR TRACKING

Tracking of cleaning activities inside buildings, to see which areas have already been cleaned and which are still to be completed.



GEOLOCALISATION

It shows on a map the machine.



USE INFORMATION

It's possible to know in what working mode the machine is operating and for how long. Moreover, it provides information about the duration of each intervention and the sq.m cleaned.



HEALTH STATUS

It is possible to monitor the condition of both machines and batteries at any time, to have a clear view of the fleet availability and optimize its coordination.



ENVIRONMENTAL IMPACT

You can see the amount of CO₂ produced by the machine since the beginning of its working life



Manage your fleet remotely with the FFM – Fimap Fleet Management system, use the Fimap FFM app to access data at any time and don't miss a single detail of the status of your machines



Watch the video



BATTERY RECHARGE

It sums up all the complete and opportune recharges performed, the residual charge and the charge settings. This is an essential set of information to extend the battery lifespan and reduce the related costs.



MAINTENANCE

An overview of the list of the maintenance services performed allows to identify discrepancies with the condition of the machine in case an anomaly is detected, and to monitor the inspections of the whole fleet.



ALARMS

The anomalies occurred are summarized in a list which includes a description of the type of issue, and the date and time of the event. It helps you to have an overview of the improper uses that need to be corrected.



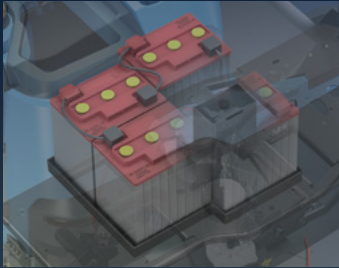
NOTIFICATIONS

Receive real-time notifications about SOS alerts and anomalies on your devices. The service is available for all iOS and Android systems.



Add only what you need

OPTIONALS



On-board battery charger



Vacuum wand



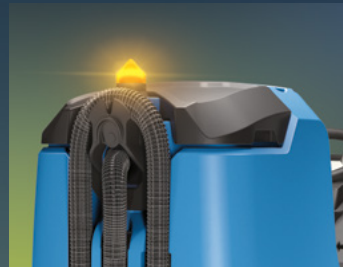
Spray gun



FFM-FIMAP FLEET MANAGEMENT



Brake kit



Blinking light



FSS-FIMAP SOLUTION SAVER



FLR-FIMAP LONG RANGE



AQUÆ[®]
 AQUÆ[®] + DS (Detergent dosing system)
 AQUÆ[®] + Spray gun
 AQUÆ[®] + DS + + Spray gun



The antibacterial tanks help inhibit the growth of bacteria and mould



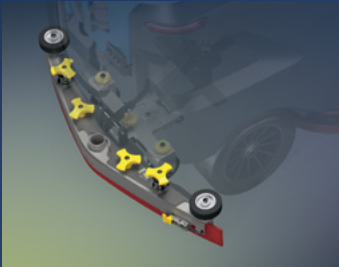
Recycled plastic tanks



HEPA filter

OPTIONALS AND ACCESSORIES

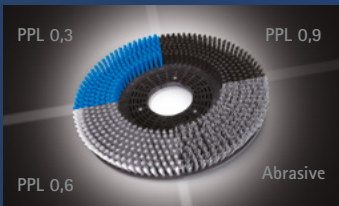
ACCESSORIES



Squeegee in aluminum



Cleaning accessory kit



A wide choice of disc brushes in PPL is offered, available in thicknesses from 0.3 to 0.9 cm. These offer the perfect solution for dealing with any type of dirt on any floor.

Abrasive brushes:

Ideal for heavy duty cleaning on industrial surfaces.



SQUEEGEE RUBBER BLADES

40 SHORE (PARA): For stubborn dirt on floors with joints

POLYURETHANE: For heavy duty cleaning and the collection of oil on industrial floors

LINATEX™: Suitable for all surfaces, whether smooth or rough, guaranteeing excellent performance because they are particularly resistant to wear and to temperature changes, and to the use of aggressive detergents

OPTIONAL AND STANDARD EQUIPMENT

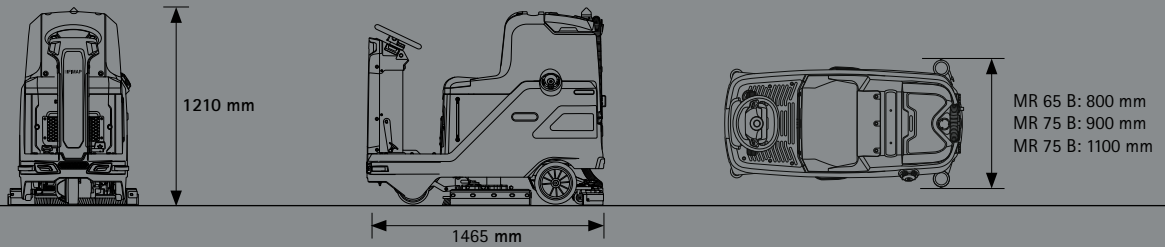
USER EXPERIENCE	DUAL DISC
	65 B / 75 B / 85 B
- Eco Mode	•
- Dynamic Mode	•
- Power Mode	•
Membrane control panel	•
COMFORT	
Hour meter	•
Cleaning solution level indicator	•
On-board battery charger	○
Cleaning accessories kit (frontal plate kit with support, side plate with clips, tub, trash bag holder with clips)	○
Automatic brush uncoupling	•
Brush and squeegee actuator	•
Vacuum wand with 3-stage motors	○
Spray gun	○
PRODUCTIVITY	
Water flow selector	•
Triple pressure selector	•
FFM (Fimap Fleet Management) with SOS device, mission control part program and indoor tracking	○
Squeegee support in aluminum	•
Squeegee in aluminum	○
Side splash guards	•
SAFETY	
Blinking light	○
Driving LED lights (front-rear)	•
Ramp up	•
Stop&Go	•
Descent control	•
ESC (Electronic Stability Control)	•
Antibacterial tanks	○
Brake kit	○
ENVIRONMENT	
AQU/Æ ⁺	○
AQU/Æ ⁺ + DS (DETERGENT DOSING SYSTEM)	○
AQU/Æ ⁺ + SPRAY GUN	○
AQU/Æ ⁺ + DS + SPRAY GUN	○
Recycled plastic tanks	○
HEPA filter	○
FSS (Fimap Solution Saver)	○
FSS (Fimap Solution Saver) and spray gun	○
FLR (Fimap Long Range)	○
FLR (Fimap Long Range) and spray gun	○
FES (Fimap Energy Saver)	•
FWF (Fimap Water Flow)	•
Start&Stop	•

• STANDARD

○ UPON REQUEST

- NOT AVAILABLE

DIMENSIONS AND TECHNICAL DATA



TECHNICAL DATA – MR		DUAL DISC		
		65 B	75 B	85 B
PERFORMANCE				
Productivity theoretical	up to sqm/h	3900	4500	5100
Estimated coverage	up to sqm/h	3575	4125	4675
Tank range	up to sqm	15.000		
SCRUBBING SYSTEM				
Working width	mm	660	760	860
Brush motors	(no.) V/W	(2) 24/570		
Brush rpm	rpm	240		
Pressure on the brushes (min. – max)	kg	30÷45÷60		
BATTERIES				
Supply/traction	V	24/aut.		
Batteries	(no.) V/Ah	(2) 12/150		
	C20	(4) 6/270		
Battery run time*	up to h	4*		
PROPELLING SYSTEM				
Forward working speed	km/h	5,5		
Transport speed	km/h	6		
Gradeability (Working / Transport at gross weight / Trailer ramp empty)	%	8 / 18 / 20**		
Traction motor	(no.) V/W	(1) 24/410		
SPECIFICATIONS				
Machine dimensions (L x h x w)	mm	1465	1465	1465
		1210	1210	1210
		686	810	895
Squeegee width	mm	800	900	1000
Machine weight empty without batteries	kg	225,5		
Machine weight empty with batteries	kg	359,5		
GVW (Gross Vehicle Weight)	kg	529,5		
Sound pressure level (ISO 11201)	dB (A)	<70		
Minimum aisle turn	mm	1800		
TANKS AND RECOVERY SYSTEM				
Solution tank	l	105		
Recovery tank	l	110		
Vacuum motor	V/W	24/350		
Vacuum water lift	mbar	119		

* Run times are based on continuous scrubbing run times

** Transport empty

Machine weights are calculated on the basis of a standard reference model

SERVICES

CONSULTING AND PLANNING



We put our experience at your service, to help you realize the cleaning project perfect you. We suggest you the best solutions to make costs decrease and service quality increase.

SETUP



We can help you set up your machines in order to make them meet specifically the requirements of the sites of your project, allowing you to always have control over costs and results.

AUTHORIZED WORKSHOP NETWORK



Fimap Authorized Workshop network spans the globe, so you can enjoy the peace of mind of finding a professional support wherever your business is.

CONFIGURATION



Your business is unique, only a customized fleet can lead you to better results. We will help you find the configurations that best fit the specific requirements of your cleaning sites, in order to optimize processes and lower costs.

TRAINING COURSES



Fimap Academy offers courses for all levels, from the correct use of machines and technologies, up to the management of sites and tenders, helping you to make your service really competitive.

MAINTENANCE AND REPAIR



For your business to run smoothly it is essential that your machines are kept always operational. Our technicians take care of monitoring the machines health status and know how to intervene quickly and effectively when needed.

FINANCIAL SOLUTIONS



You can choose to use the fleet in different ways. We can advise you on the best financial solution for your business, so that you can get the quality of the Fimap world at the most convenient conditions for you.

DIGITAL FLEET MANAGEMENT SYSTEM



With Fimap Fleet Management everything is under your control. You can have a complete overview of the service provided and find out the improvements that can be made, basing your considerations on real data, always available via the Fimap FFM app or FFM website.

GENUINE SPARE PARTS



Get the most out of your machines, choose the reliability of Fimap original spare parts. They are designed together with the machines, so they perfectly fit them thus guaranteeing the highest quality of performance.

CERTIFICATIONS



AWARDS



For any additional information or for a demo please contact your usual Fimap dealer



FIMAP spa - Via Invalidi del Lavoro, 1 - 37059 S. Maria di Zevio - Verona - Italy - Tel. +39 045 6060411 - E-mail: contact@fimap.com

